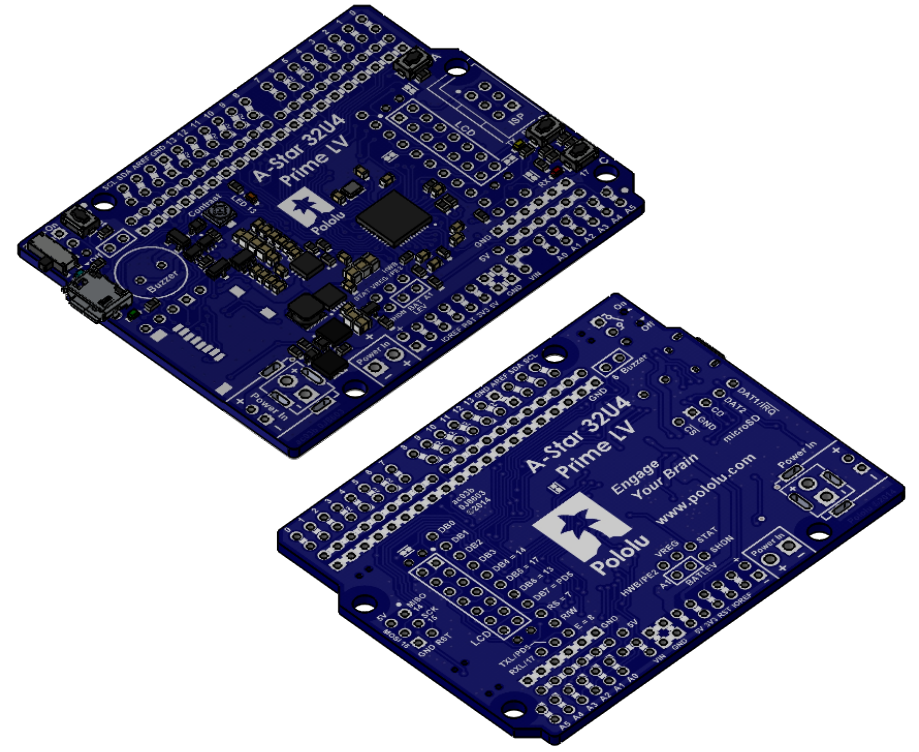
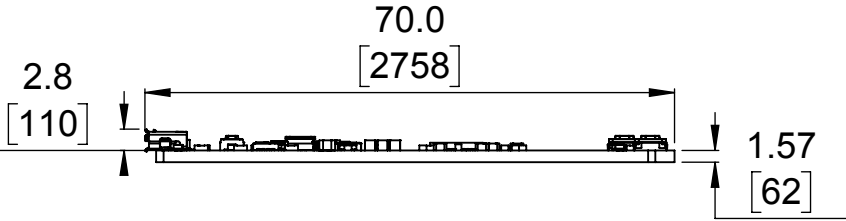


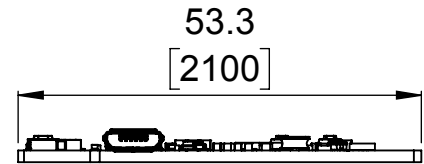
① Top view (actual size)  
Scale 1:1



② Isometric view  
Scale 1:1




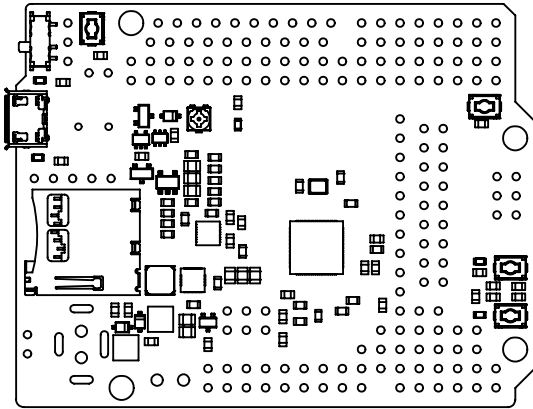
③ Long profile  
Scale 1:1



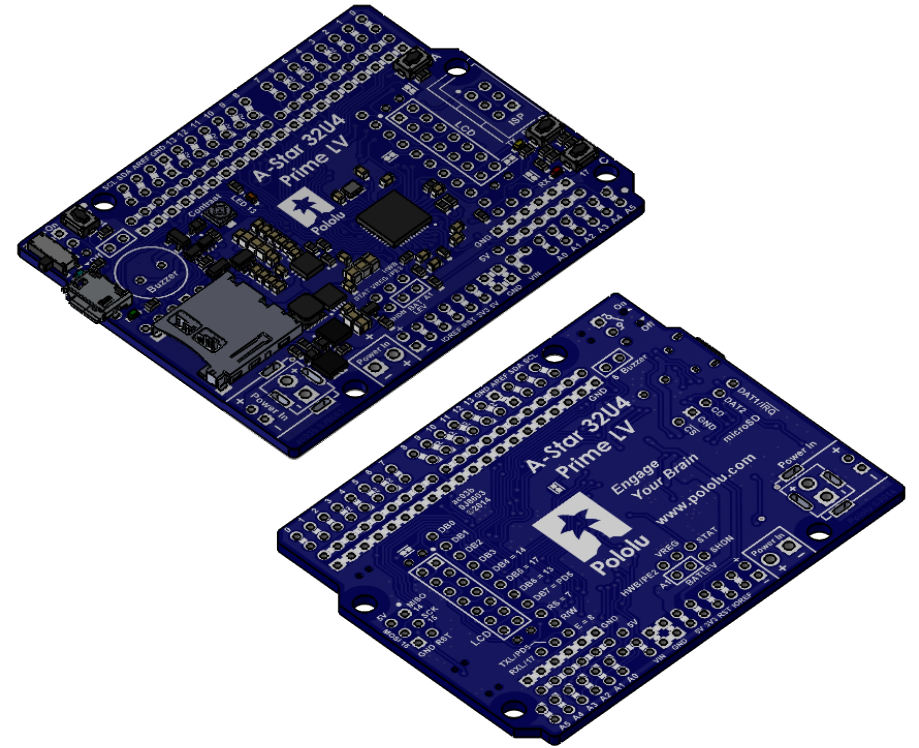
④ Short profile  
Scale 1:1

1. To get the specified scale, select 100% in print settings.
2. Drill location tolerance:  $\pm 0.1$  [ $\pm 5$ ].
3. Board edge tolerance:  $\pm 0.3$  [ $\pm 10$ ].

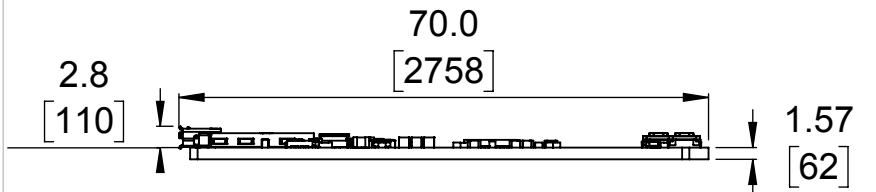
<a href="https://www.pololu.com/product/3105">https://www.pololu.com/product/3105</a>	
Name: A-Star 32U4 Prime LV (SMT Components Only)	Item number: 3105
Drawing date: 31 March 2016	
Units: mm [mil]	PCB dev code: ac03b
 © 2016 Pololu Corporation	



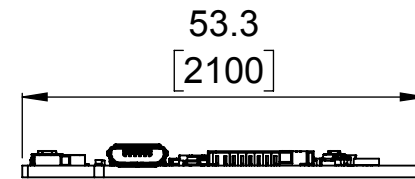
① Top view (actual size)  
Scale 1:1



② Isometric view  
Scale 1:1



③ Long profile  
Scale 1:1



④ Short profile  
Scale 1:1

1. To get the specified scale, select 100% in print settings.
2. Drill location tolerance:  $\pm 0.1$  [ $\pm 5$ ].
3. Board edge tolerance:  $\pm 0.3$  [ $\pm 10$ ].

<https://www.pololu.com/product/3106>

Name: A-Star 32U4 Prime LV microSD  
(SMT Components Only)

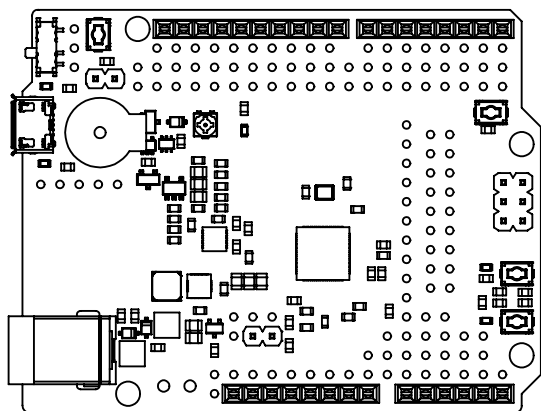
Item number:  
3106

Drawing date:  
31 March 2016

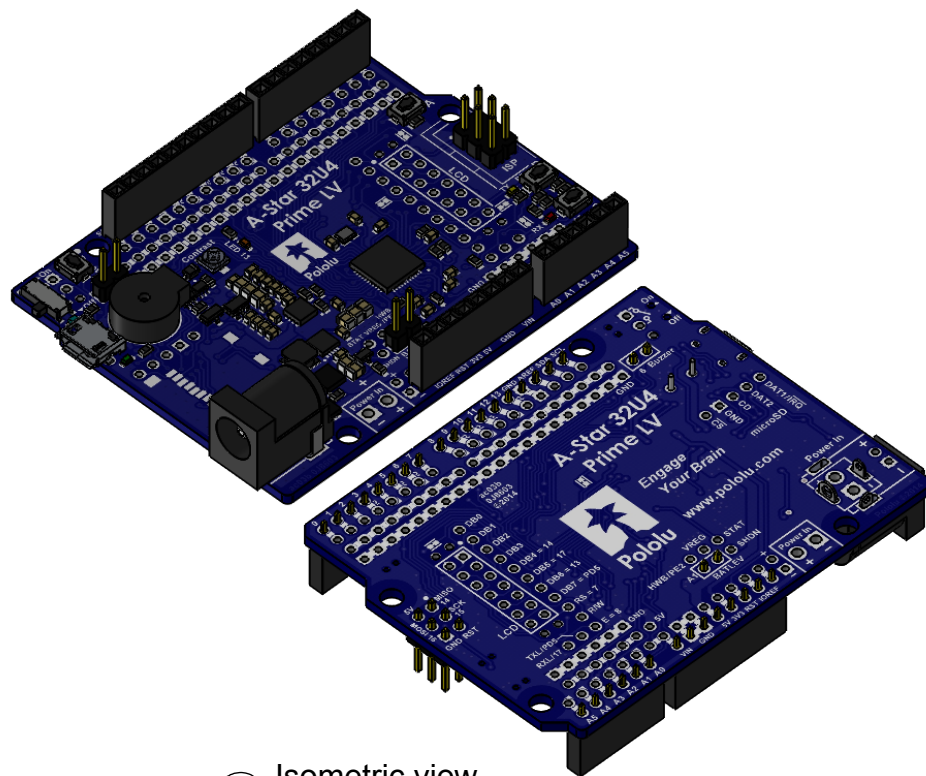
Units: mm  
[mil]

PCB dev code:  
ac03b

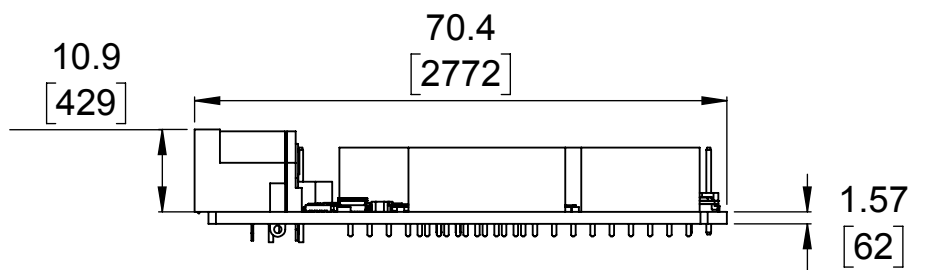
  
**Pololu**  
Robotics & Electronics  
© 2016 Pololu Corporation



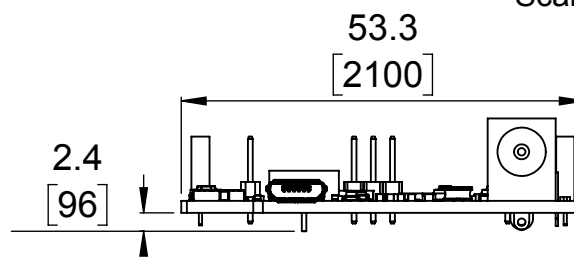
① Top view (actual size)  
Scale 1:1



② Isometric view  
Scale 1:1



③ Long profile  
Scale 1:1



④ Short profile  
Scale 1:1

1. To get the specified scale, select 100% in print settings.
2. Drill location tolerance:  $\pm 0.1$  [ $\pm 5$ ].
3. Board edge tolerance:  $\pm 0.3$  [ $\pm 10$ ].

<https://www.pololu.com/product/3107>

Name: A-Star 32U4 Prime LV  
(with preinstalled headers)

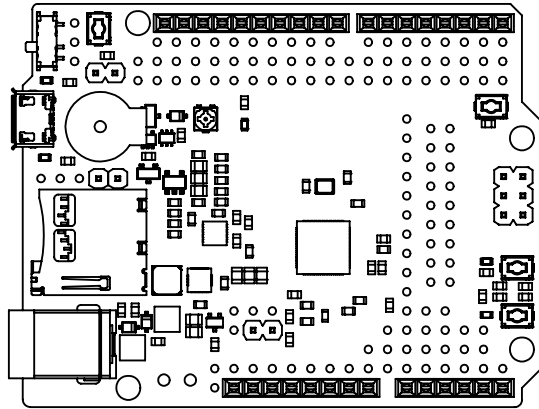
Item number:  
3107

Drawing date:  
31 March 2016

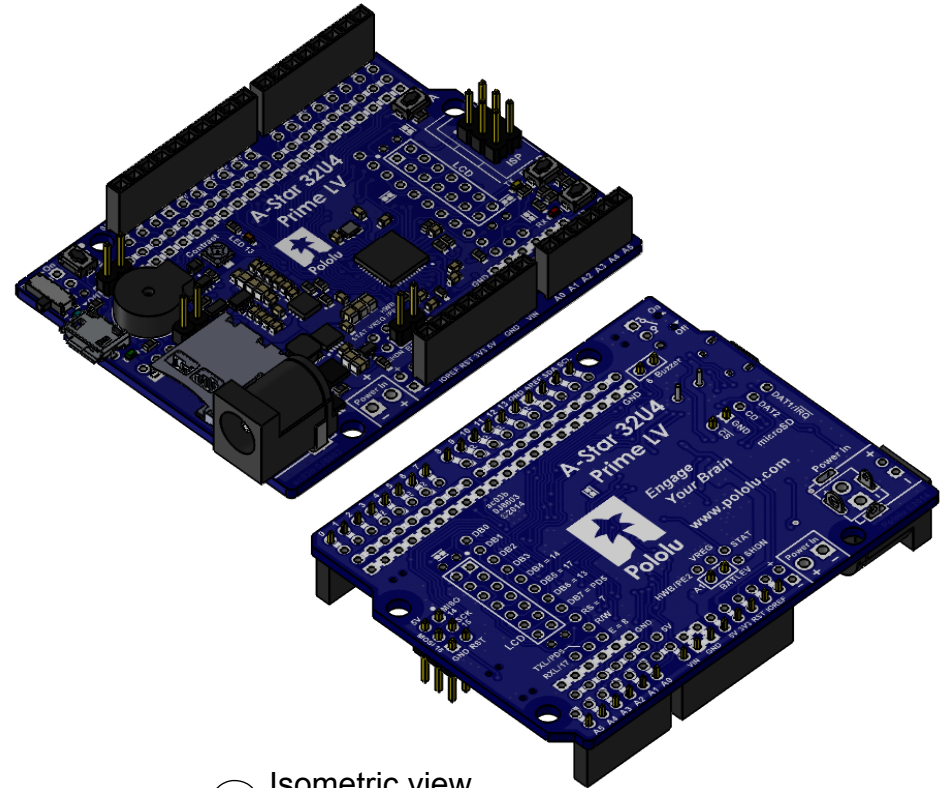
Units: mm  
[mil]

PCB dev code:  
ac03b

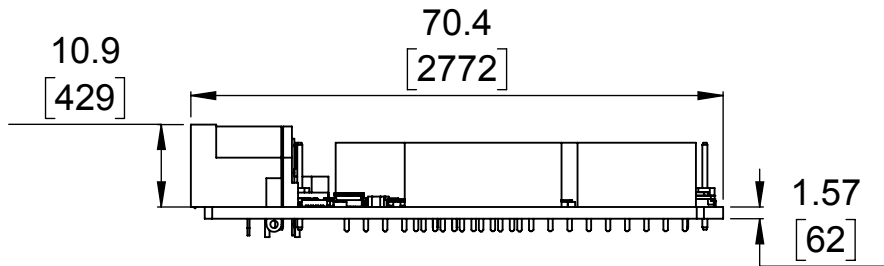
 **Pololu**  
Robotics & Electronics  
© 2016 Pololu Corporation



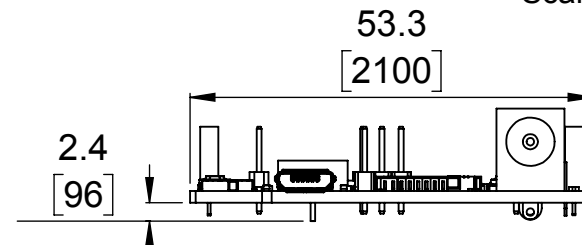
① Top view (actual size)  
Scale 1:1



② Isometric view  
Scale 1:1



③ Long profile  
Scale 1:1



④ Short profile  
Scale 1:1

1. To get the specified scale, select 100% in print settings.
2. Drill location tolerance:  $\pm 0.1$  [ $\pm 5$ ].
3. Board edge tolerance:  $\pm 0.3$  [ $\pm 10$ ].

<https://www.pololu.com/product/3108>

Name:  
A-Star 32U4 Prime LV microSD  
(with preinstalled headers)

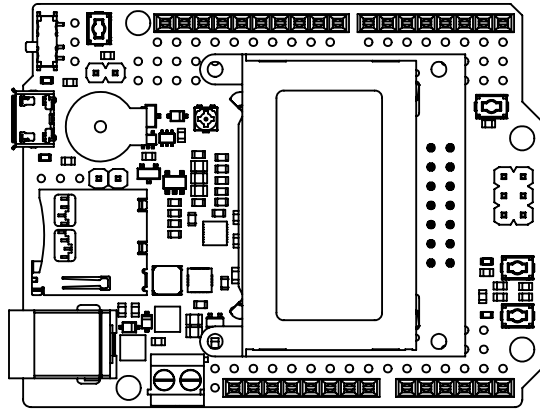
Item number:  
3108

Drawing date:  
31 March 2016

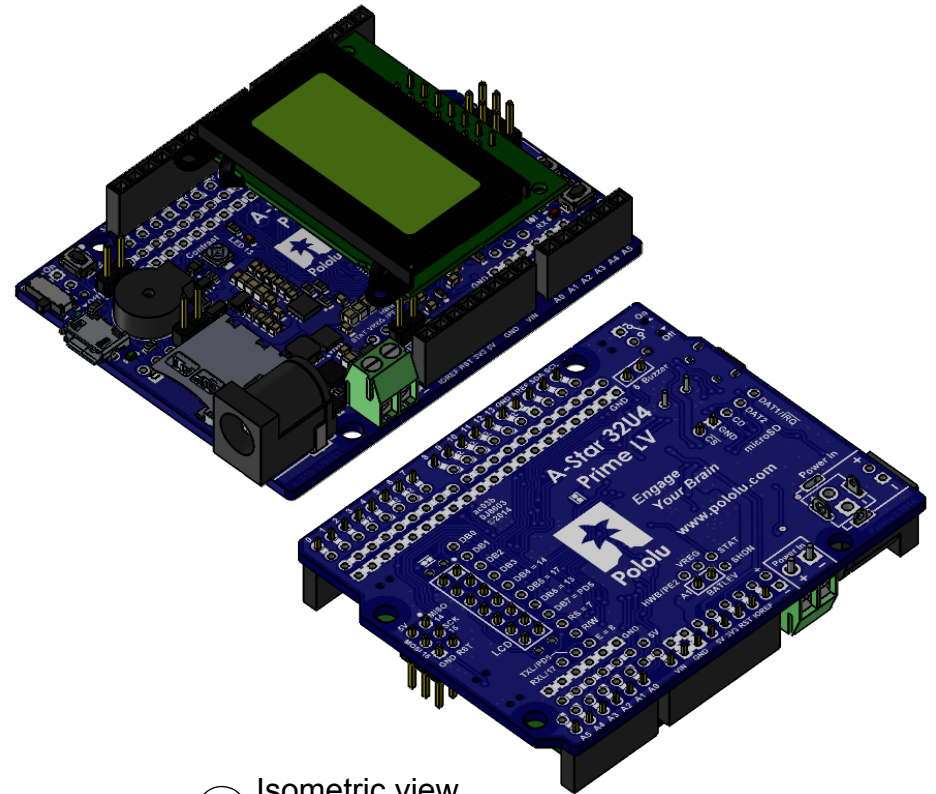
Units: mm  
[mil]

PCB dev code:  
ac03b

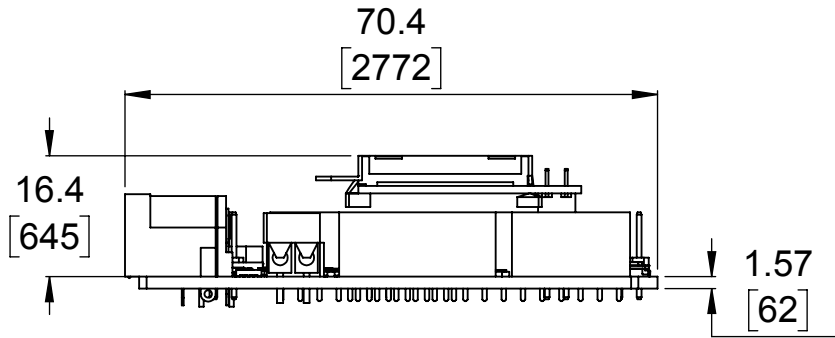
  
**Pololu**  
Robotics & Electronics  
© 2016 Pololu Corporation



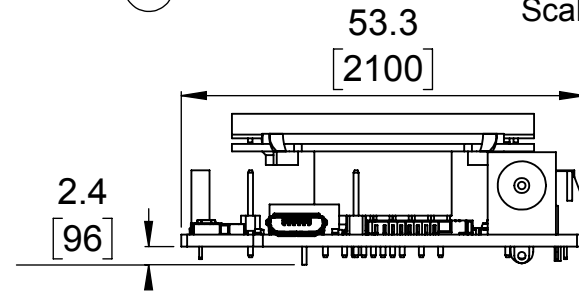
1 Top view (actual size)  
Scale 1:1



2 Isometric view  
Scale 1:1



3 Long profile  
Scale 1:1



4 Short profile  
Scale 1:1

1. To get the specified scale, select 100% in print settings.
2. Drill location tolerance:  $\pm 0.1$  [ $\pm 5$ ].
3. Board edge tolerance:  $\pm 0.3$  [ $\pm 10$ ].

<https://www.pololu.com/product/3109>

Name: A-Star 32U4 Prime LV  
microSD with LCD

Item number:  
3109

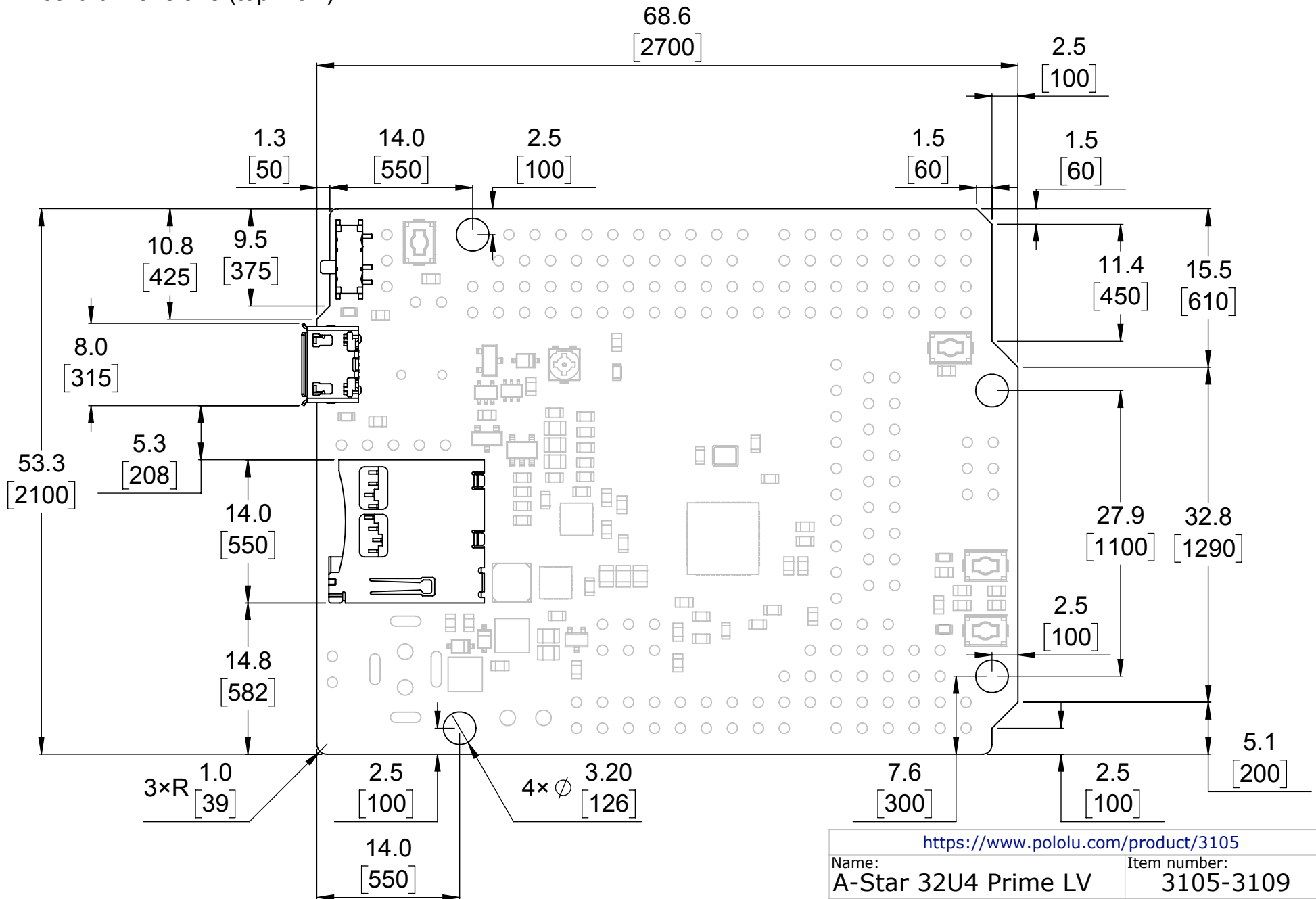
Drawing date:  
31 March 2016

Units: mm  
[mil]

PCB dev code:  
ac03b

  
Robotics & Electronics  
© 2016 Pololu Corporation

# Board dimensions (top view)



1. To get the specified scale, select 100% in print settings.
2. Drill location tolerance:  $\pm 0.1$  [ $\pm 5$ ].
3. Board edge tolerance:  $\pm 0.3$  [ $\pm 10$ ].

Scale: 2:1

<https://www.pololu.com/product/3105>

Name:  
**A-Star 32U4 Prime LV**

Item number:  
**3105-3109**

Drawing date:  
**31 March 2016**

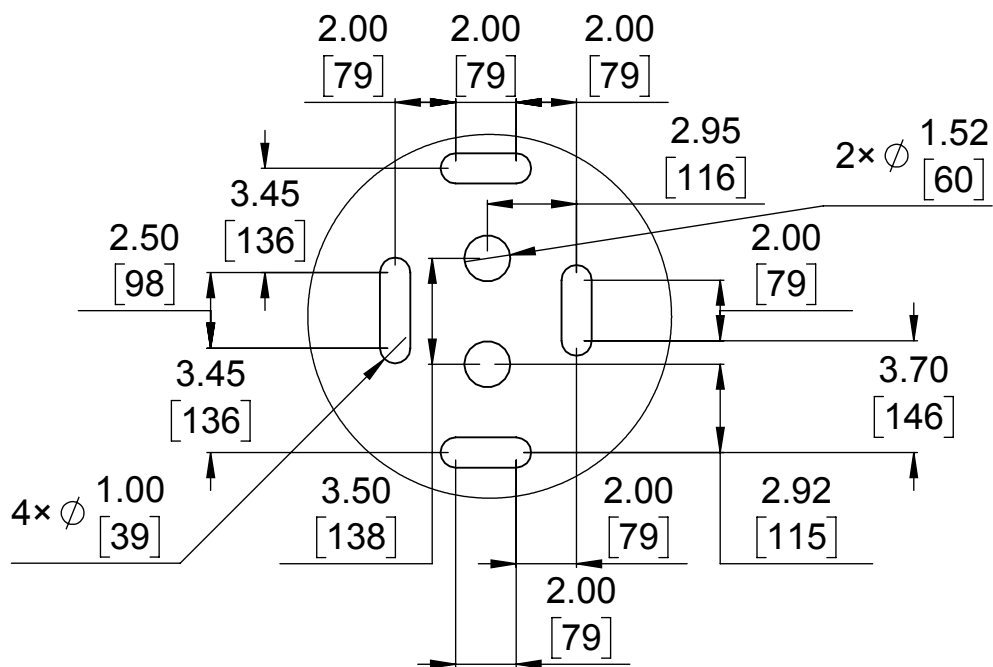
Units: mm  
[mil]

PCB dev code:  
**ac03b**

**Pololu**  
Robotics & Electronics  
© 2016 Pololu Corporation



DETAIL A  
SCALE 4 : 1



1. To get the specified scale, select 100% in print settings.
2. Drill location tolerance:  $\pm 0.1$  [ $\pm 5$ ].
3. Board edge tolerance:  $\pm 0.3$  [ $\pm 10$ ].

<https://www.pololu.com/product/3105>

Name:  
A-Star 32U4 Prime LV

Item number:  
3105-3109

Drawing date:  
31 March 2016

Units:  
mm  
[mil]

PCB dev code:  
ac03b

**Pololu**  
Robotics & Electronics  
© 2016 Pololu Corporation