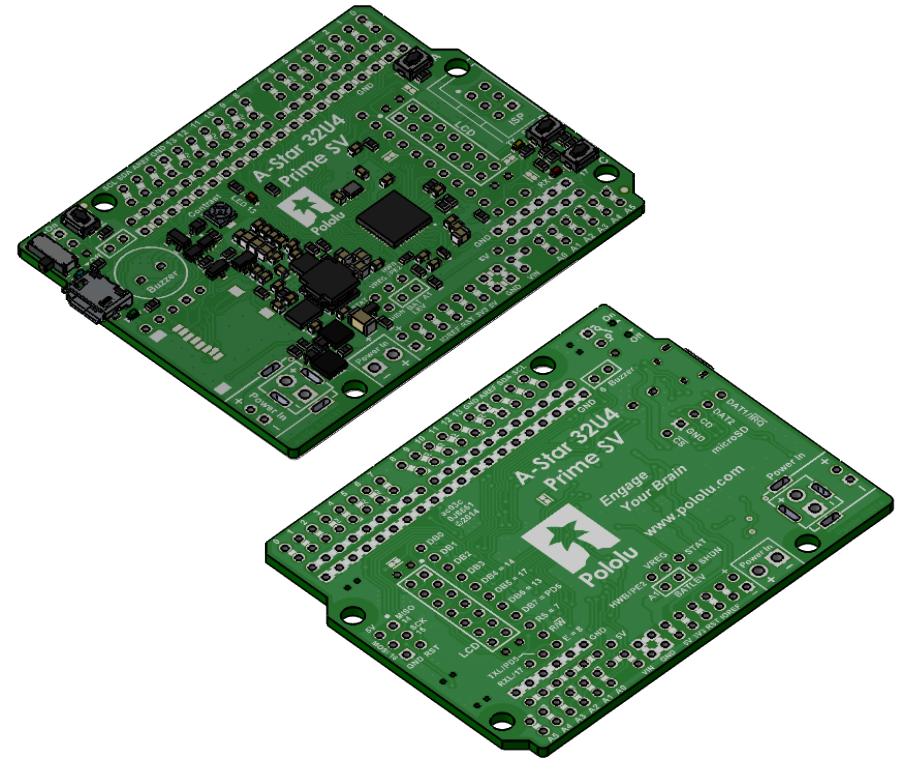
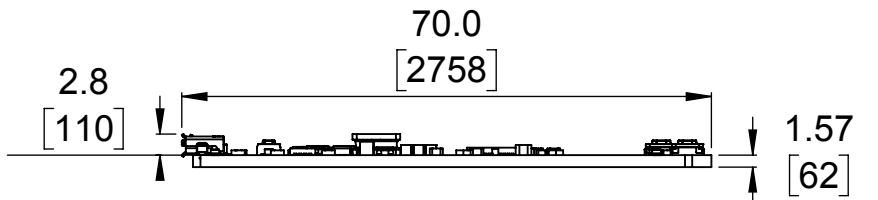


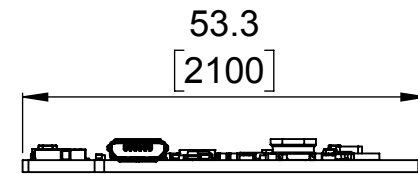
① Top view (actual size)
Scale 1:1



② Isometric view
Scale 1:1



③ Long profile
Scale 1:1



④ Short profile
Scale 1:1

1. To get the specified scale, select 100% in print settings.
2. Drill location tolerance: ± 0.1 [± 5].
3. Board edge tolerance: ± 0.3 [± 10].

<https://www.pololu.com/product/3111>

Name: A-Star 32U4 Prime SV
(SMT Comonenets Only)

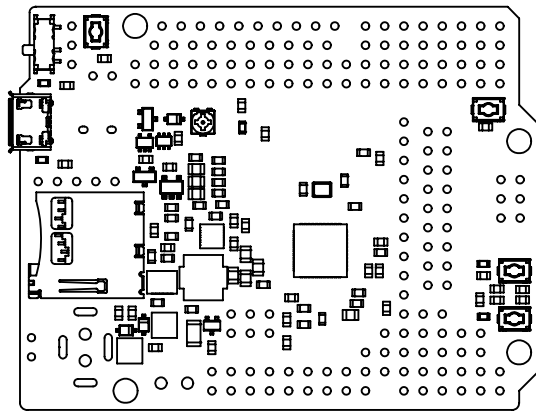
Item number:
3111

Drawing date:
31 March 2016

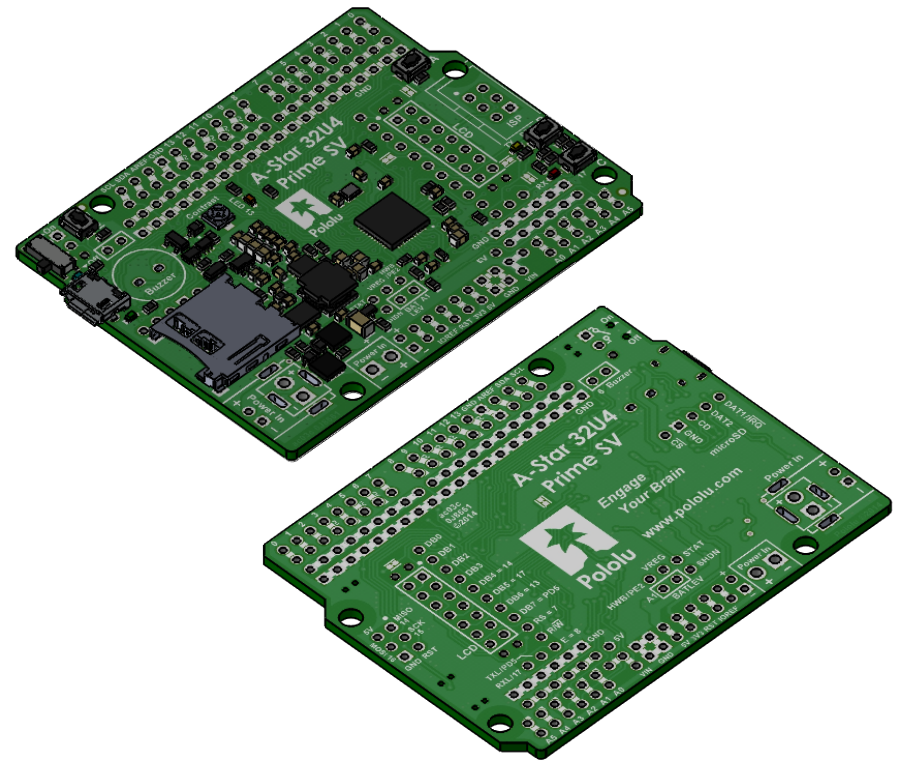
Units: mm
[mil]

PCB dev code:
ac03c

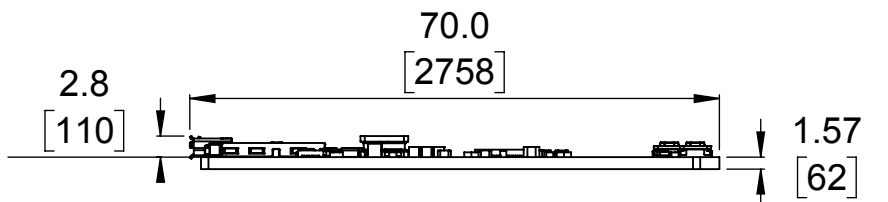

© 2016 Pololu Corporation



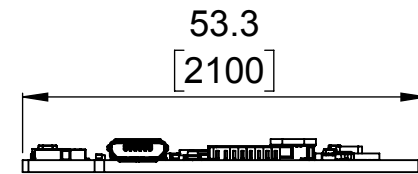
① Top view (actual size)
Scale 1:1



② Isometric view
Scale 1:1



③ Long profile
Scale 1:1



④ Short profile
Scale 1:1

1. To get the specified scale, select 100% in print settings.
2. Drill location tolerance: ± 0.1 [± 5].
3. Board edge tolerance: ± 0.3 [± 10].

<https://www.pololu.com/product/3112>

Name: A-Star 32U4 Prime SV microSD (SMT Components Only)

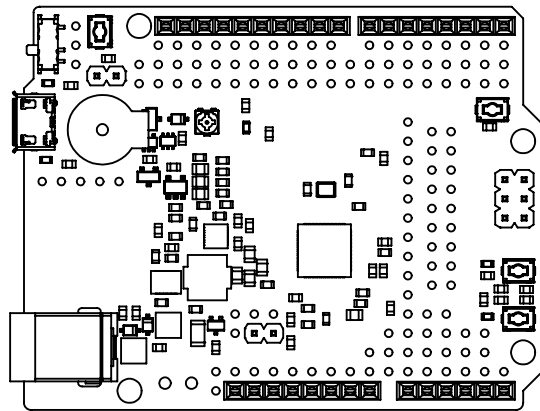
Item number: 3112

Drawing date: 31 March 2016

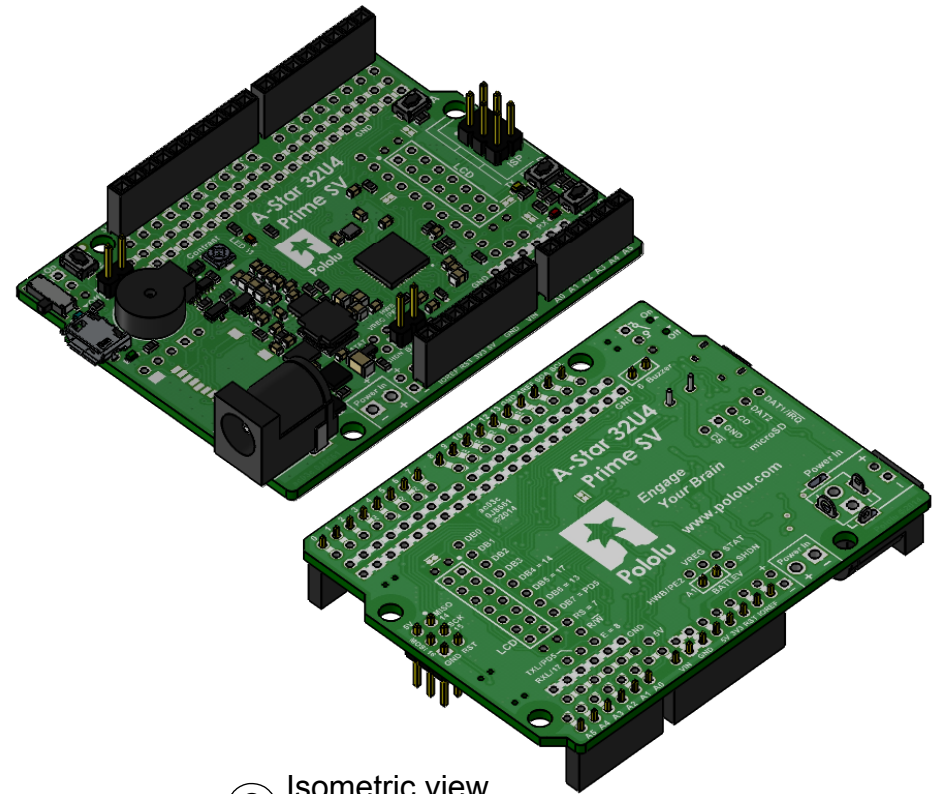
Units: mm [mil]

PCB dev code: ac03c

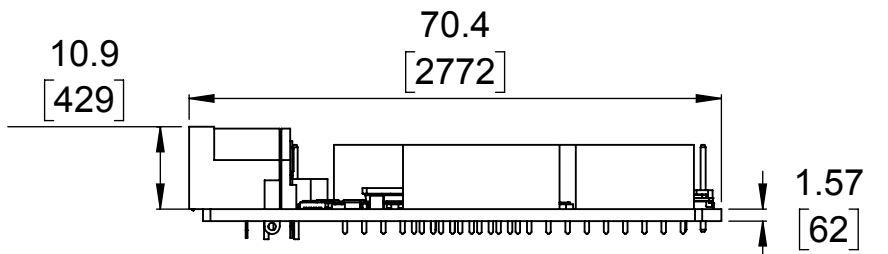
Pololu
Robotics & Electronics
© 2016 Pololu Corporation



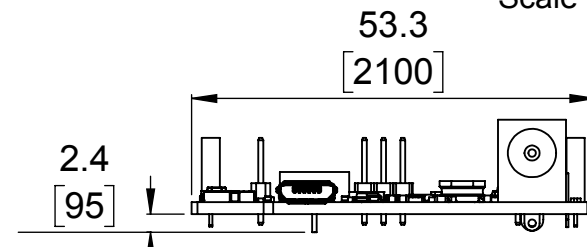
1 Top view (actual size)
Scale 1:1



2 Isometric view
Scale 1:1



3 Long profile
Scale 1:1



4 Short profile
Scale 1:1

1. To get the specified scale, select 100% in print settings.
2. Drill location tolerance: ± 0.1 [± 5].
3. Board edge tolerance: ± 0.3 [± 10].

<https://www.pololu.com/product/3113>

Name: A-Star 32U4 Prime SV
(with preinstalled headers)

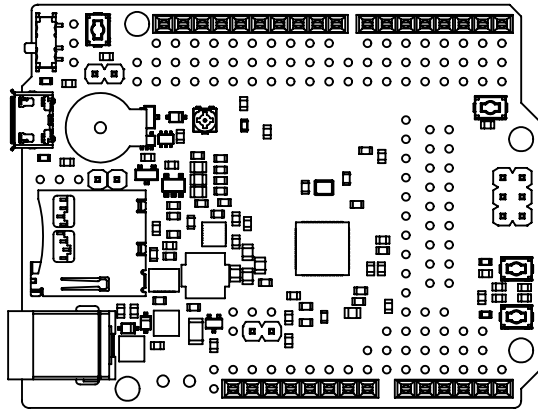
Item number:
3113

Drawing date:
31 March 2016

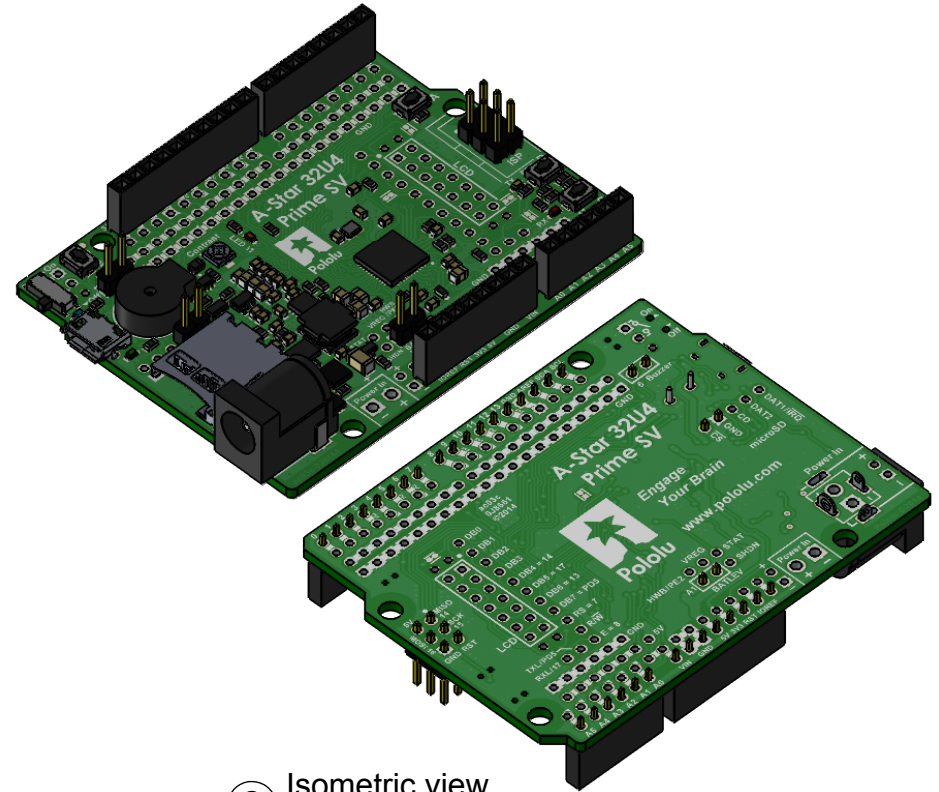
Units: mm
[mil]

PCB dev code:
ac03c

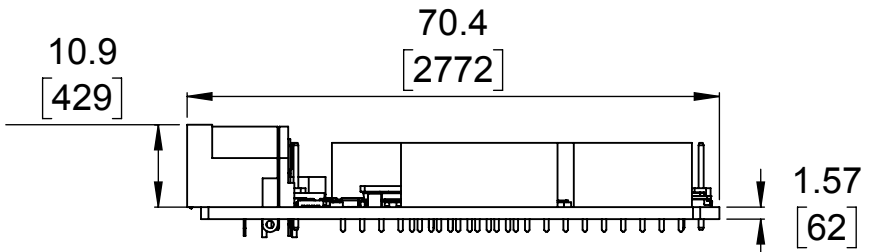
Pololu
Robotics & Electronics
© 2016 Pololu Corporation



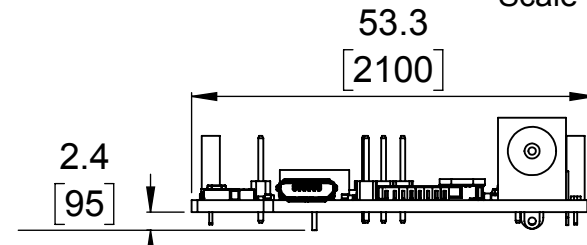
1 Top view (actual size)
Scale 1:1



2 Isometric view
Scale 1:1



3 Long profile
Scale 1:1



4 Short profile
Scale 1:1

1. To get the specified scale, select 100% in print settings.
2. Drill location tolerance: ± 0.1 [± 5].
3. Board edge tolerance: ± 0.3 [± 10].

<https://www.pololu.com/product/3114>

Name:
A-Star 32U4 Prime SV microSD
(with preinstalled headers)

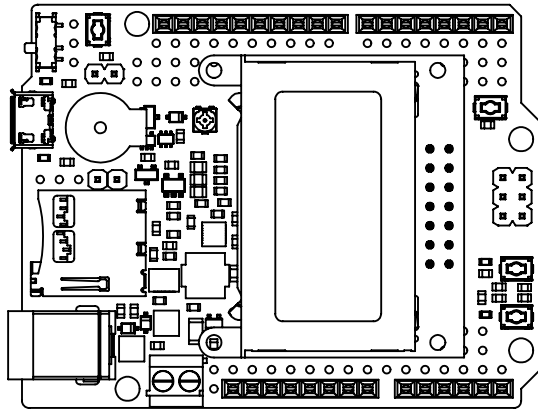
Item number:
3114

Drawing date:
31 March 2016

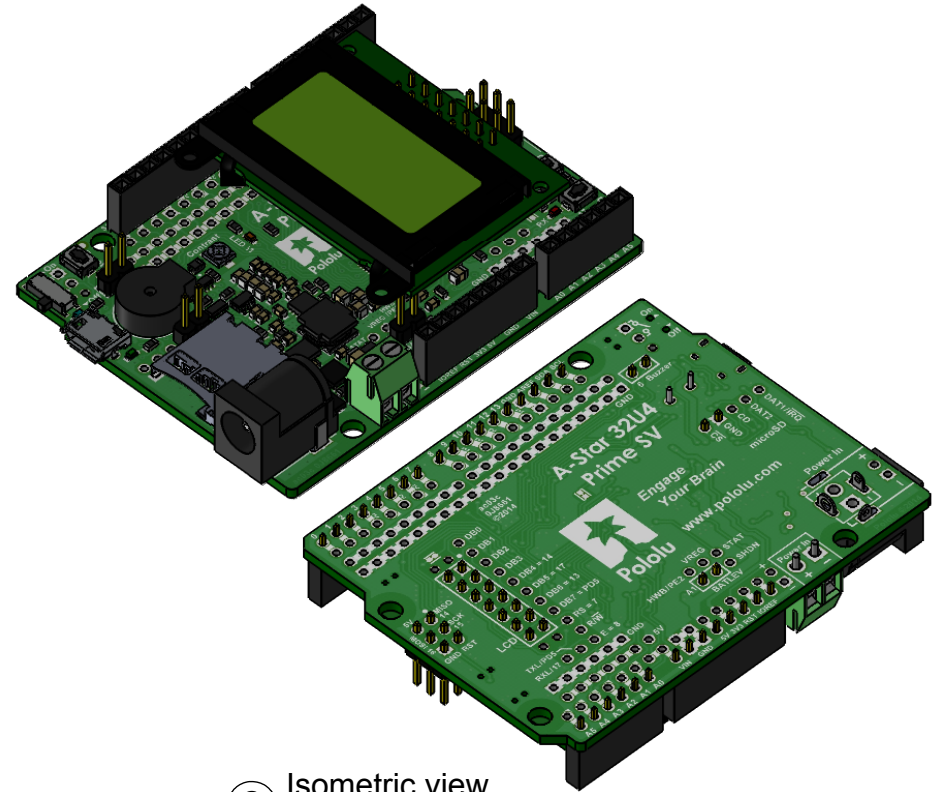
Units:
mm
[mil]

PCB dev code:
ac03c

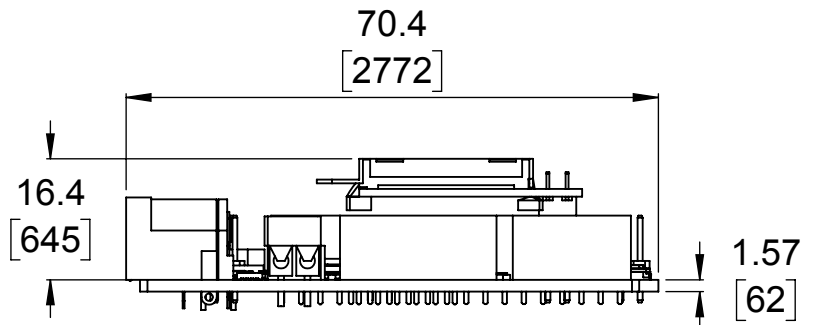

Pololu
Robotics & Electronics
© 2016 Pololu Corporation



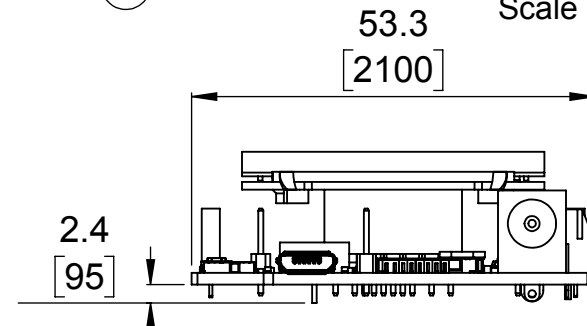
① Top view (actual size)
Scale 1:1



② Isometric view
Scale 1:1



③ Long profile
Scale 1:1



④ Short profile
Scale 1:1

1. To get the specified scale, select 100% in print settings.
2. Drill location tolerance: ± 0.1 [± 5].
3. Board edge tolerance: ± 0.3 [± 10].

<https://www.pololu.com/product/3115>

Name: A-Star 32U4 Prime SV
microSD with LCD

Item number:
3115

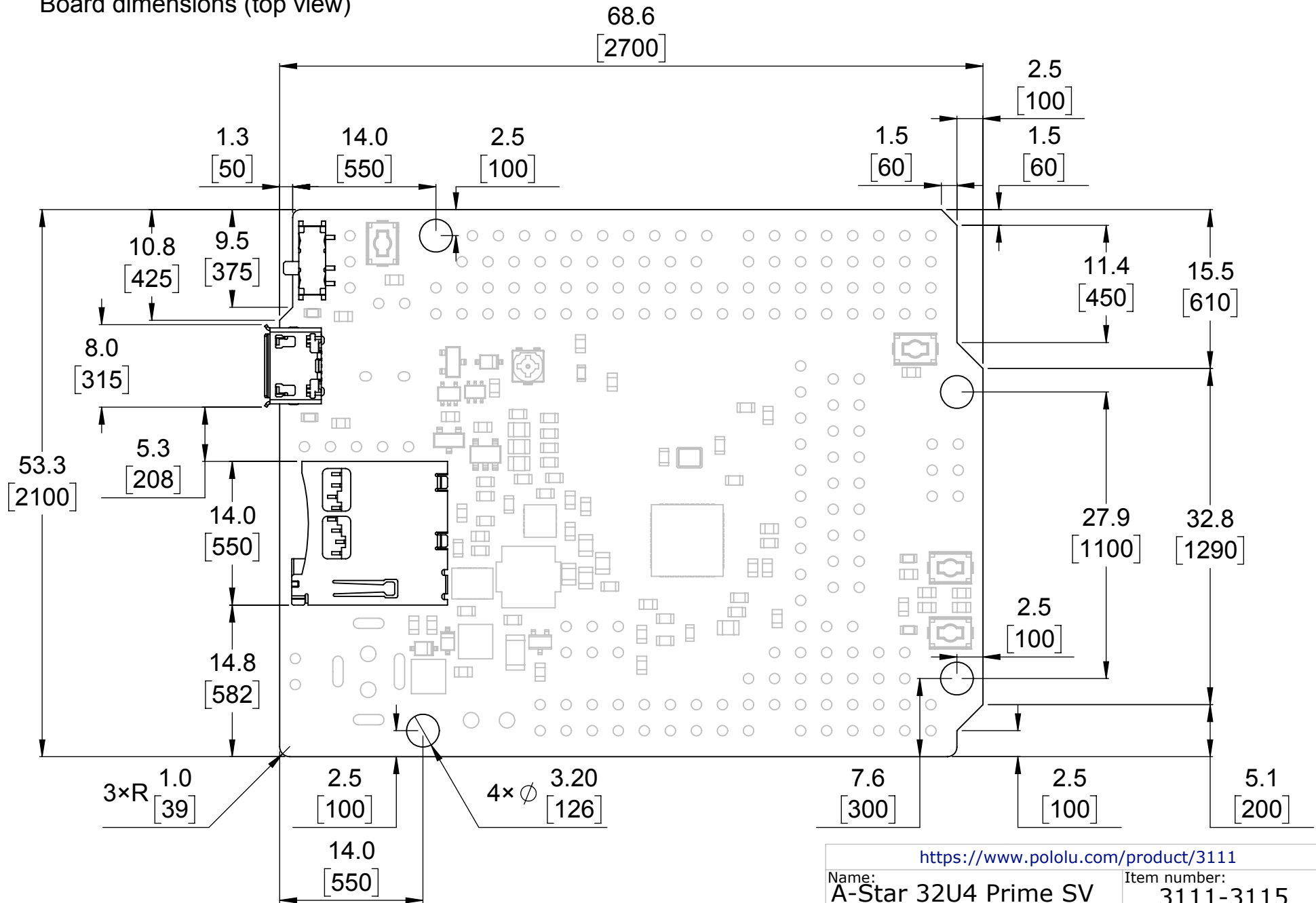
Drawing date:
31 March 2016

Units: mm
[mil]

PCB dev code:
ac03c

Pololu
Robotics & Electronics
© 2016 Pololu Corporation

Board dimensions (top view)



1. To get the specified scale, select 100% in print settings.
2. Drill location tolerance: ± 0.1 [± 5].
3. Board edge tolerance: ± 0.3 [± 10].

Scale: 2:1

<https://www.pololu.com/product/3111>

Name:
A-Star 32U4 Prime SV

Item number:
3111-3115

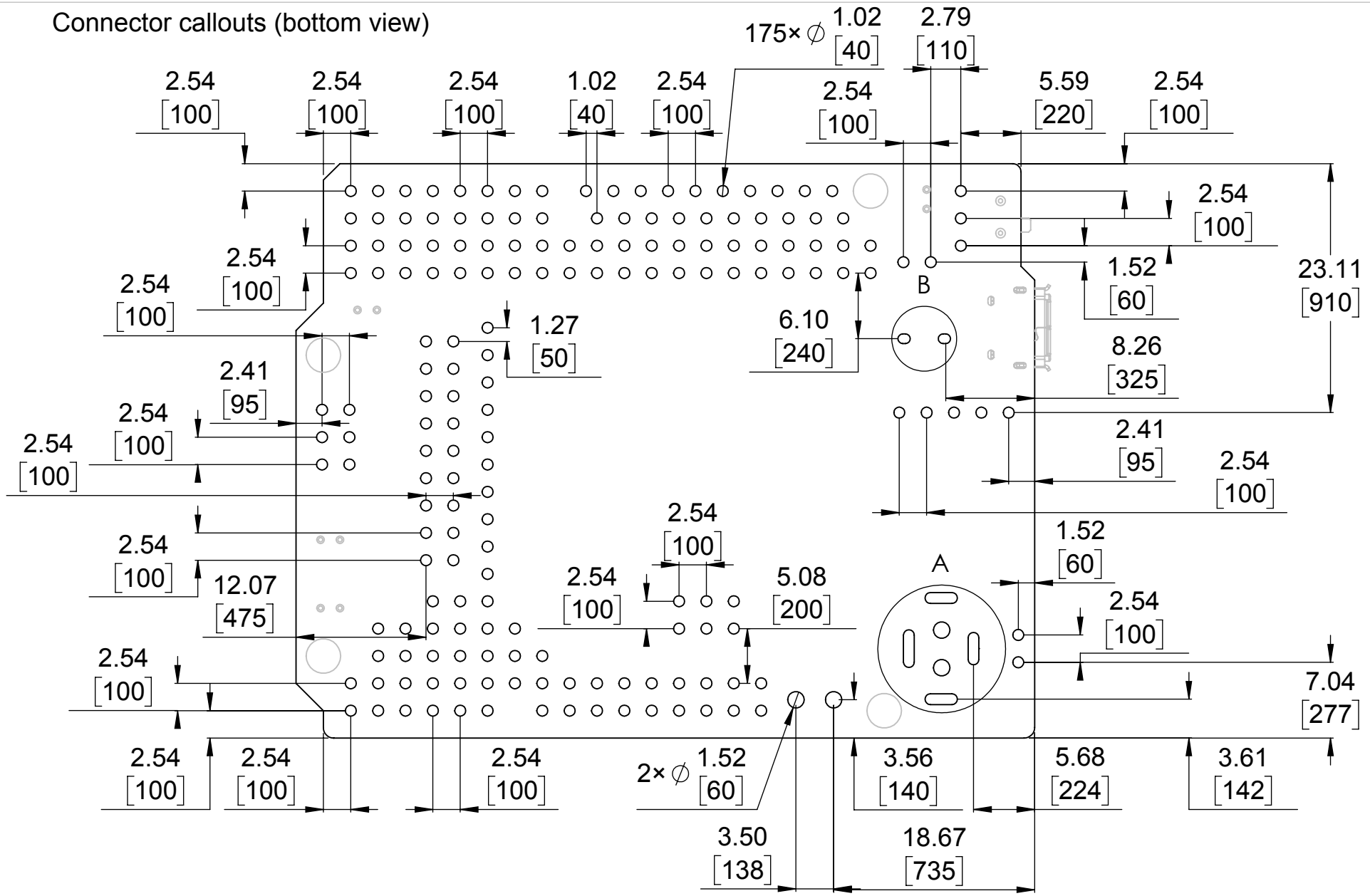
Drawing date:
31 March 2016

Units: mm
[mil]

PCB dev code:
ac03c


© 2016 Pololu Corporation

Connector callouts (bottom view)



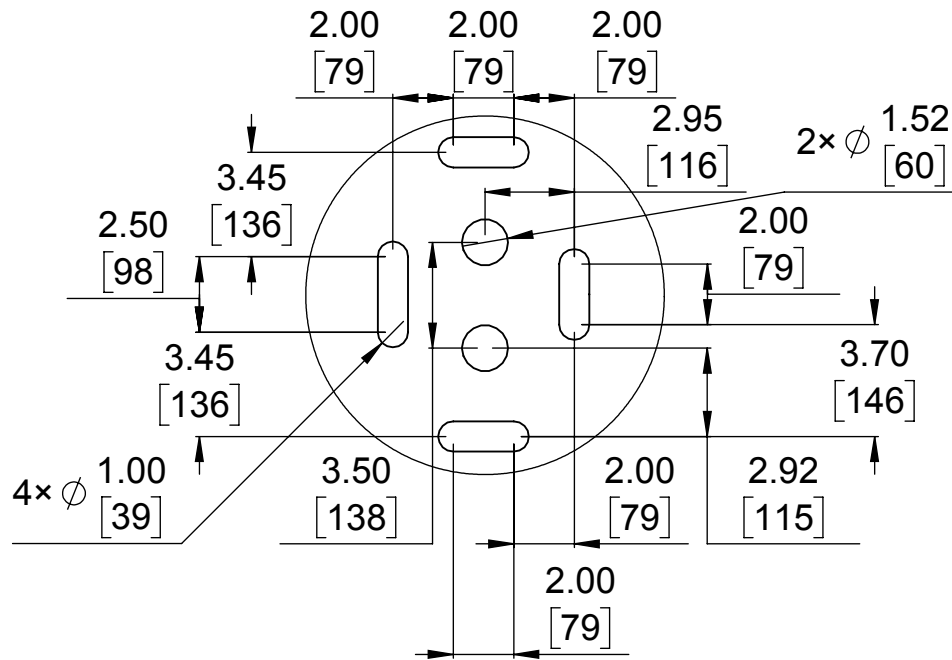
1. To get the specified scale, select 100% in print settings.
2. Drill location tolerance: ± 0.1 [± 5].
3. Board edge tolerance: ± 0.3 [± 10].

Scale: 2:1

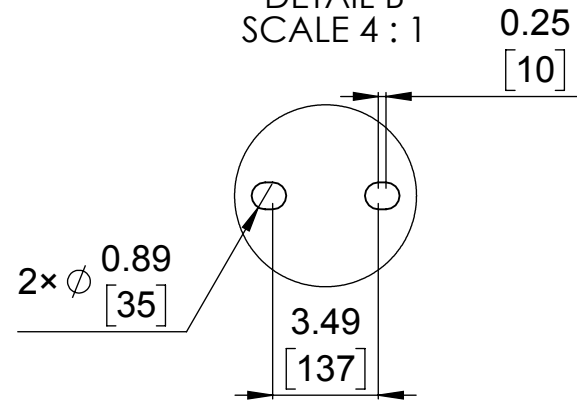
https://www.pololu.com/product/3111	
Name: A-Star 32U4 Prime SV	Item number: 3111-3115
Drawing date: 31 March 2016	
Units: mm [mil]	PCB dev code: ac03c



DETAIL A
SCALE 4 : 1



DETAIL B
SCALE 4 : 1



1. To get the specified scale, select 100% in print settings.
2. Drill location tolerance: ± 0.1 [± 5].
3. Board edge tolerance: ± 0.3 [± 10].

<https://www.pololu.com/product/3111>

Name:
A-Star 32U4 Prime SV

Item number:
3111-3115

Drawing date:
31 March 2016

Units: mm
[mil]

PCB dev code:
ac03c

Pololu
Robotics & Electronics
© 2016 Pololu Corporation