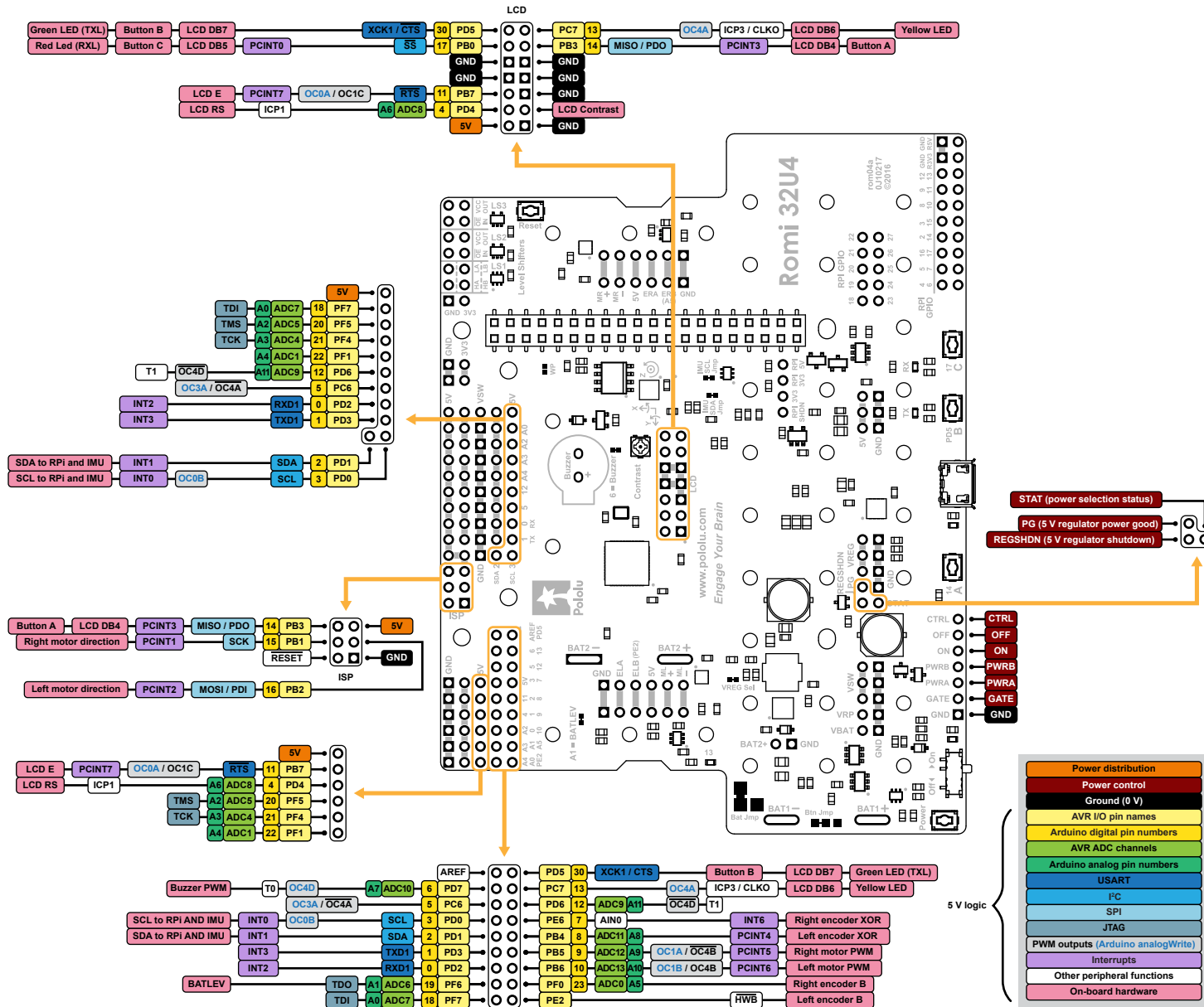


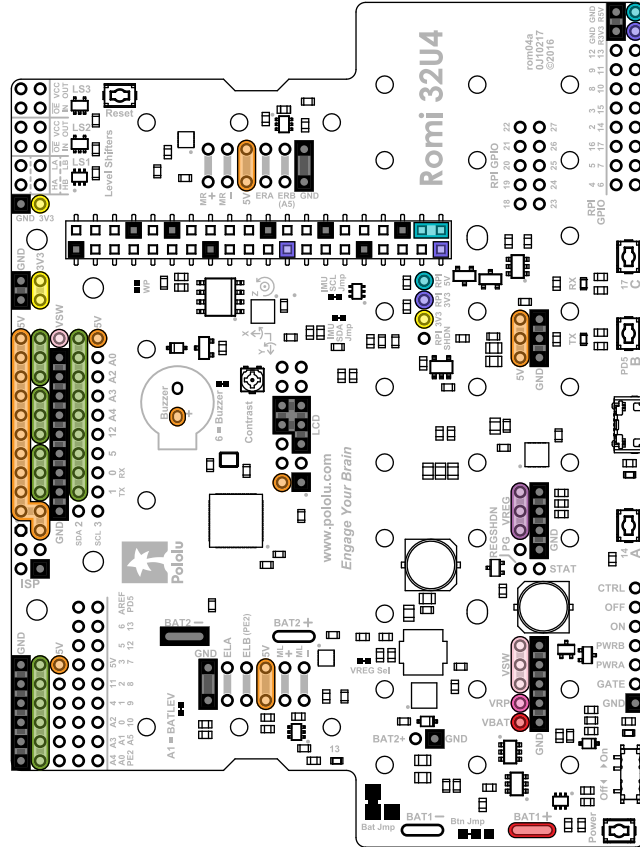
Romi 32U4 Control Board

ATmega32U4 pinout, peripherals, and board power control



Romi 32U4 Control Board

Power distribution



Ground (0 V)
VBAT (BAT1+)
VRP (reverse protected)
VSW (after switch)
5V (VCC access)
VREG (5 V regulator output)
RPI5V (RPI 5 V access)
RPI3V3 (RPI 3.3 V output)
3V3 (3.3 V regulator output)
Optional power buses