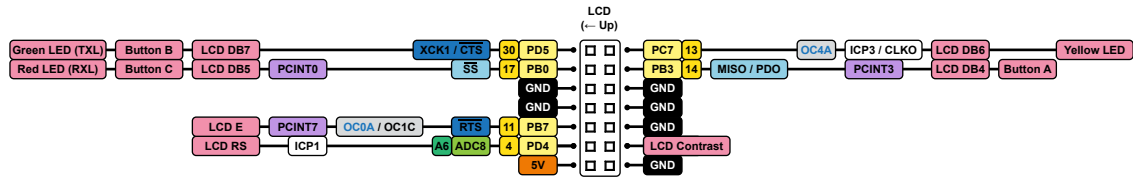
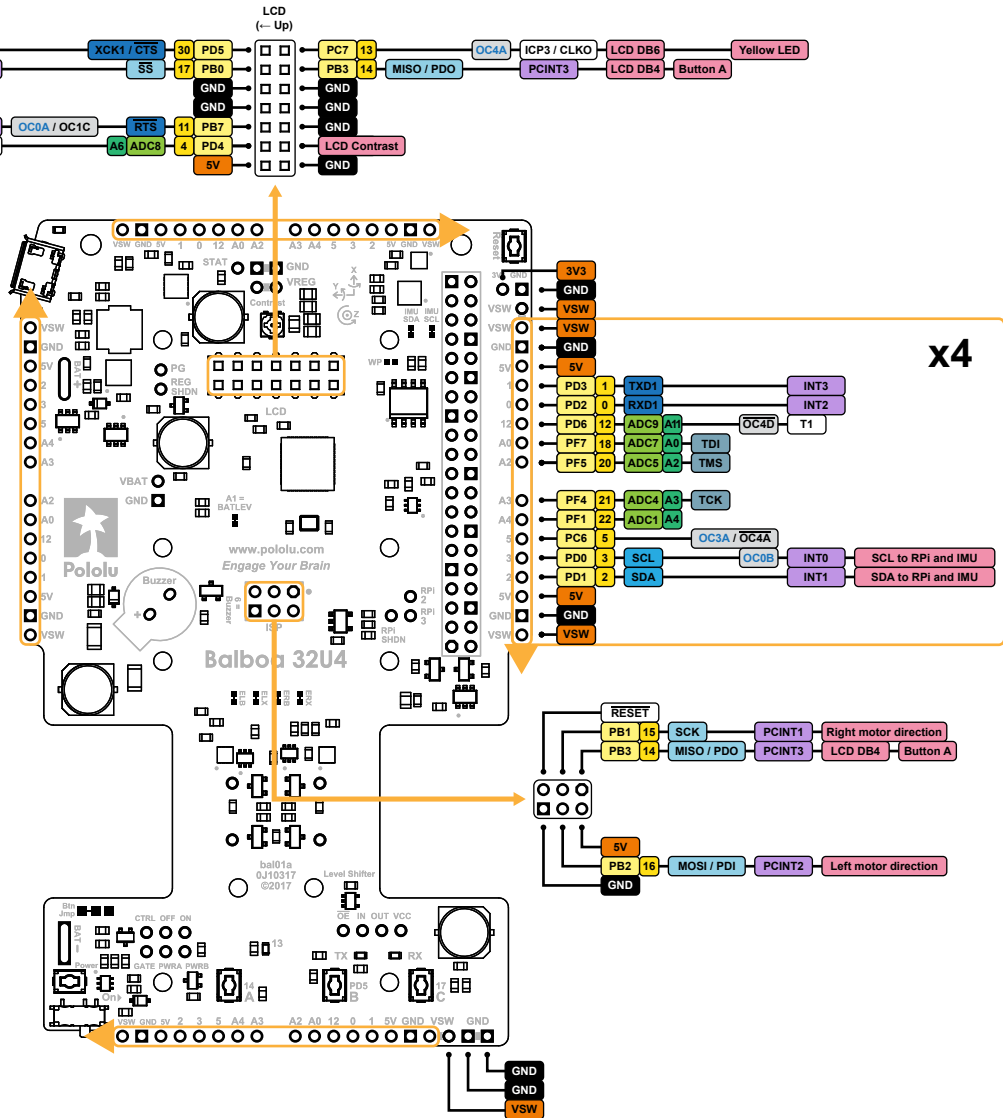


Balboa 32U4 Control Board

ATmega32U4 pinout and peripherals

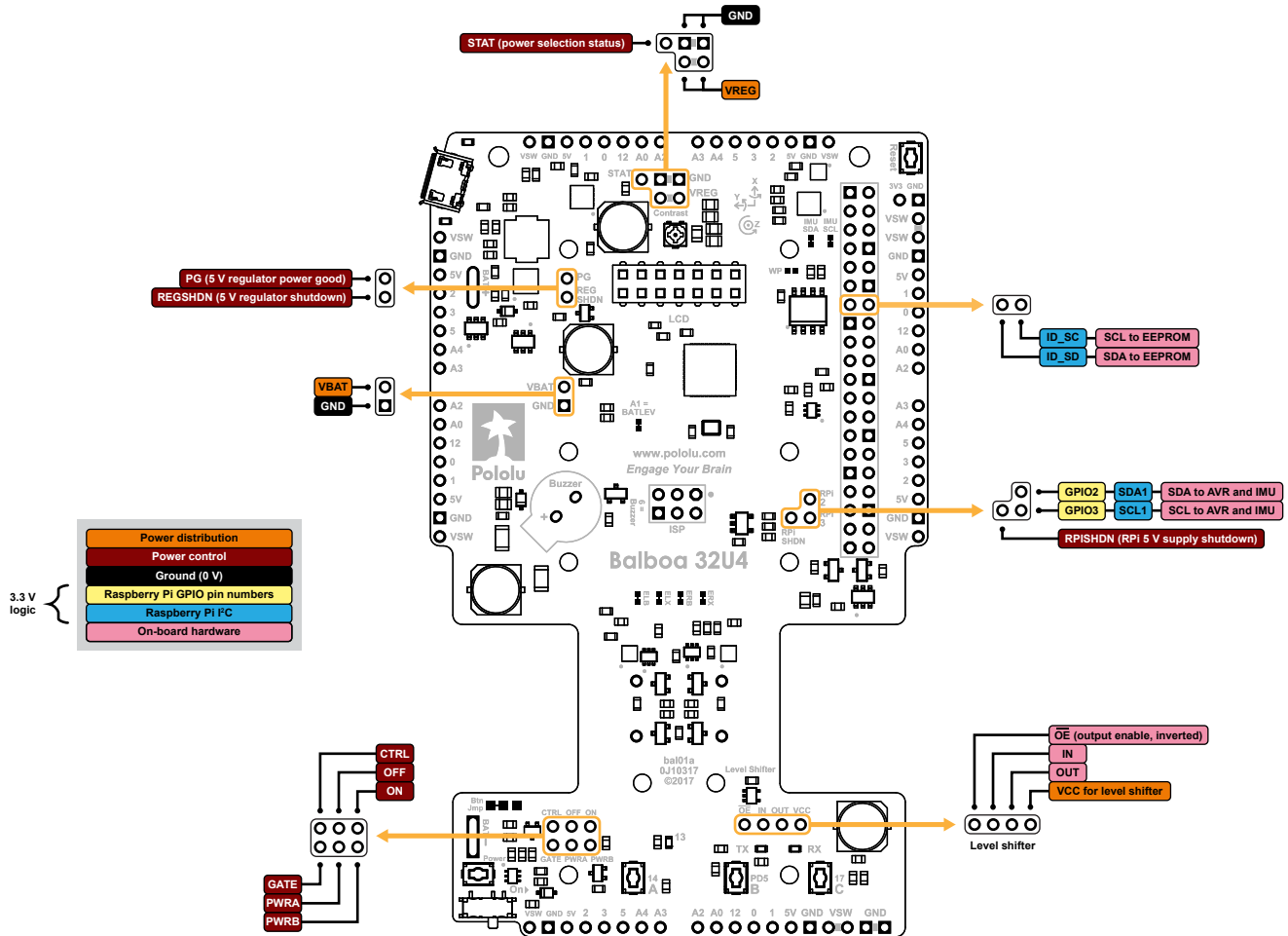


- 5 V logic
- Power distribution
 - Ground (0 V)
 - AVR I/O pin names
 - Arduino digital pin numbers
 - AVR ADC channels
 - Arduino analog pin numbers
 - USART
 - PC
 - SPI
 - JTAG
 - PWM outputs (Arduino analogWrite)
 - Interrupts
 - Other peripheral functions
 - On-board hardware



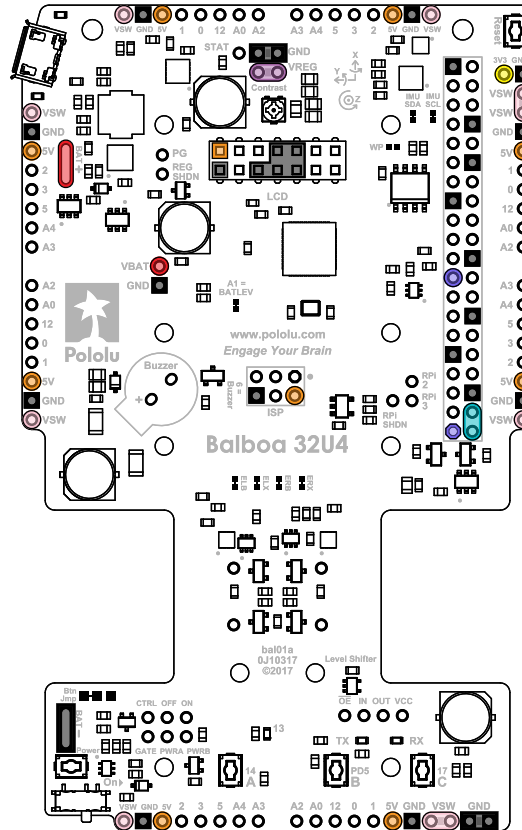
Balboa 32U4 Control Board

Raspberry Pi pinout and peripherals, level shifter, and board power control



Balboa 32U4 Control Board

Power distribution



Ground (0 V)
VBAT (BAT+)
VSW (after switch)
5V (VCC access)
VREG (5 V regulator output)
RPI5V (RPI 5 V access)
RPI3V3 (RPI 3.3 V output)
3V3 (3.3 V regulator output)