


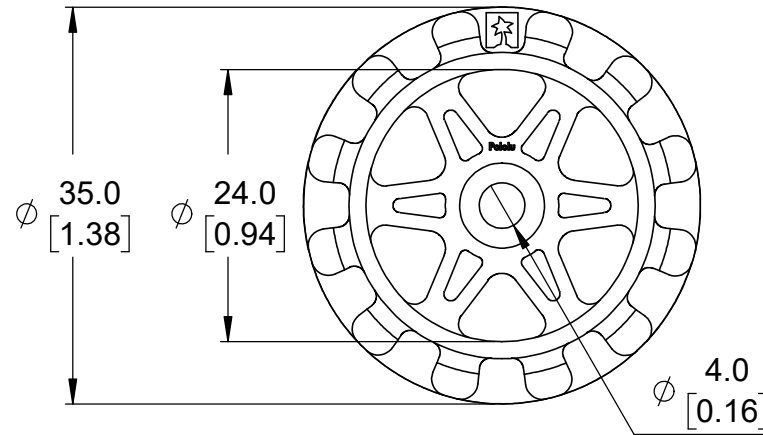
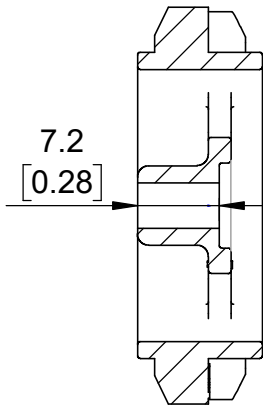
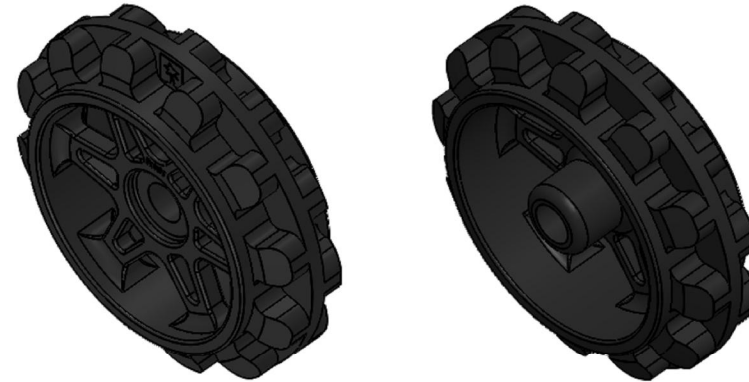
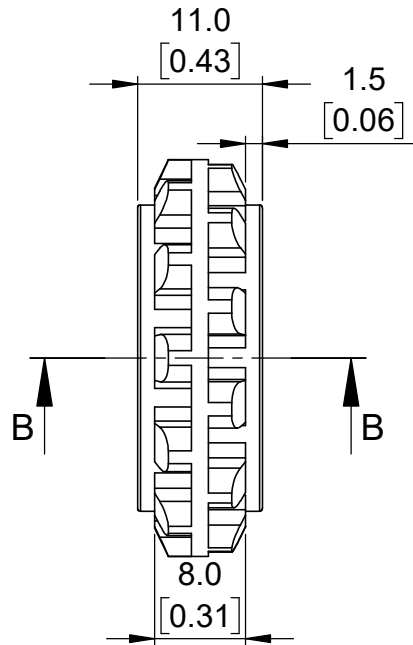
SECTION A-A

- 1. Designed to fit Pololu gearmotors with 3mm D-shafts.
- 2. To get the specified scale, select 100% in print settings.

Scale: 3:2


<https://www.pololu.com/product/3030>

Name: Pololu Track Set Drive Sprocket		Item number: 3030-3035, 3128, 3129
Drawing date: 15 September 2017	Dev code: w3d02b	 Pololu Robotics & Electronics © 2017 Pololu Corporation
Units: mm [in]	Material: ABS plastic	



SECTION B-B

<https://www.pololu.com/product/3030>

Name: Pololu Track Set Idler Sprocket		Item number: 3030-3035, 3128, 3129
Drawing date: 15 September 2017	Dev code: w3r01b	 Pololu Robotics & Electronics © 2017 Pololu Corporation
Units: mm [in]	Material: ABS plastic	

1. To get the specified scale, select 100% in print settings.

Scale: 3:2