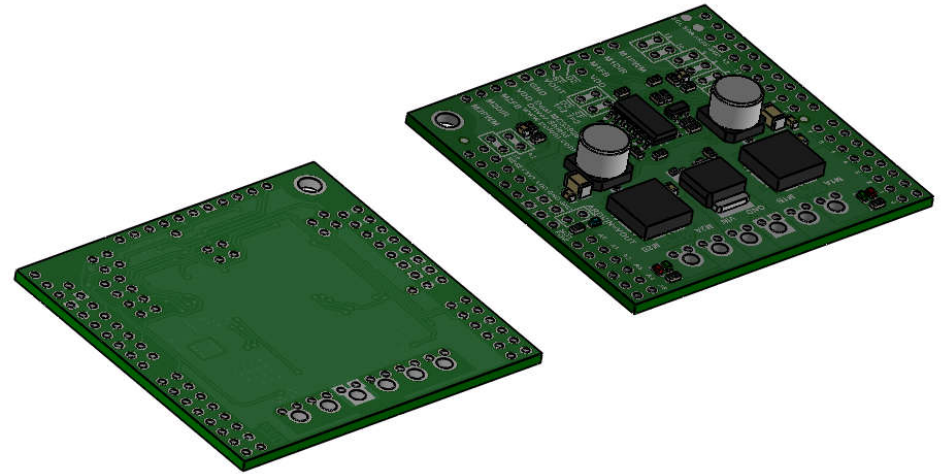
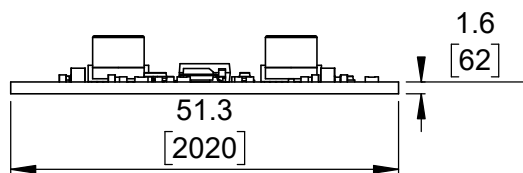


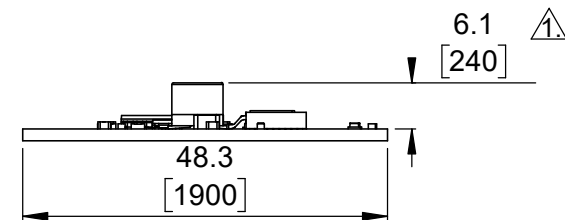
① Top view (actual size)
Scale 1:1



② Isometric view
Scale 1:1




③ Long profile
Scale 1:1

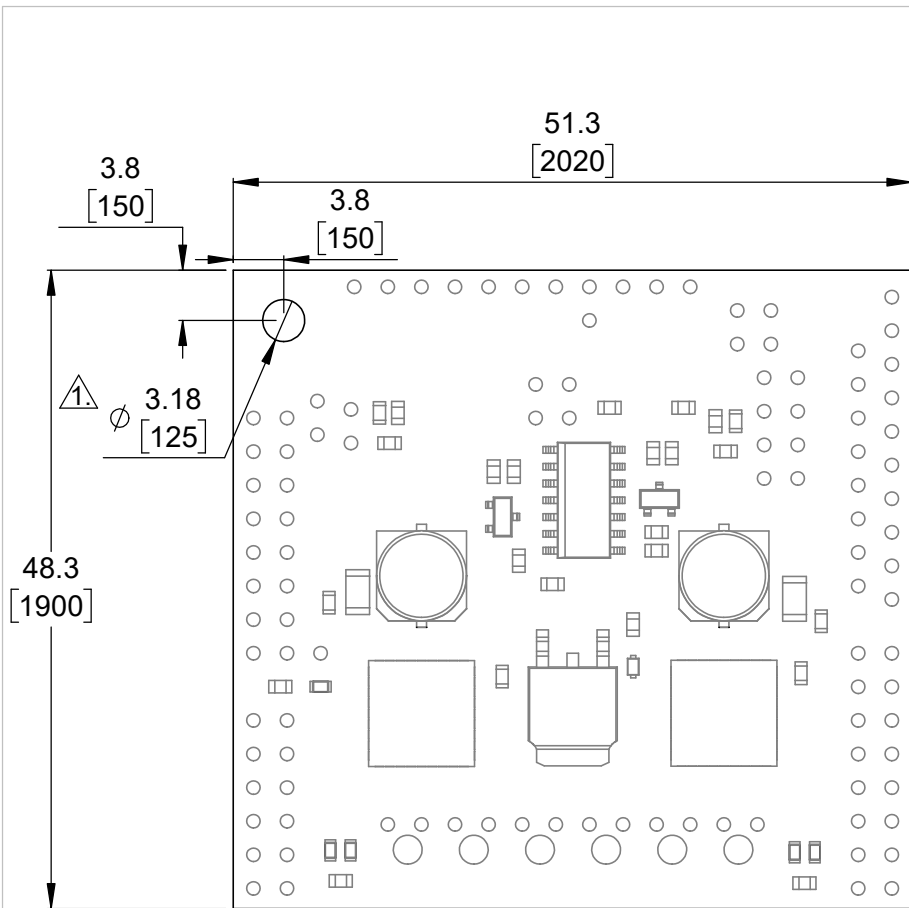


④ Short profile
Scale 1:1

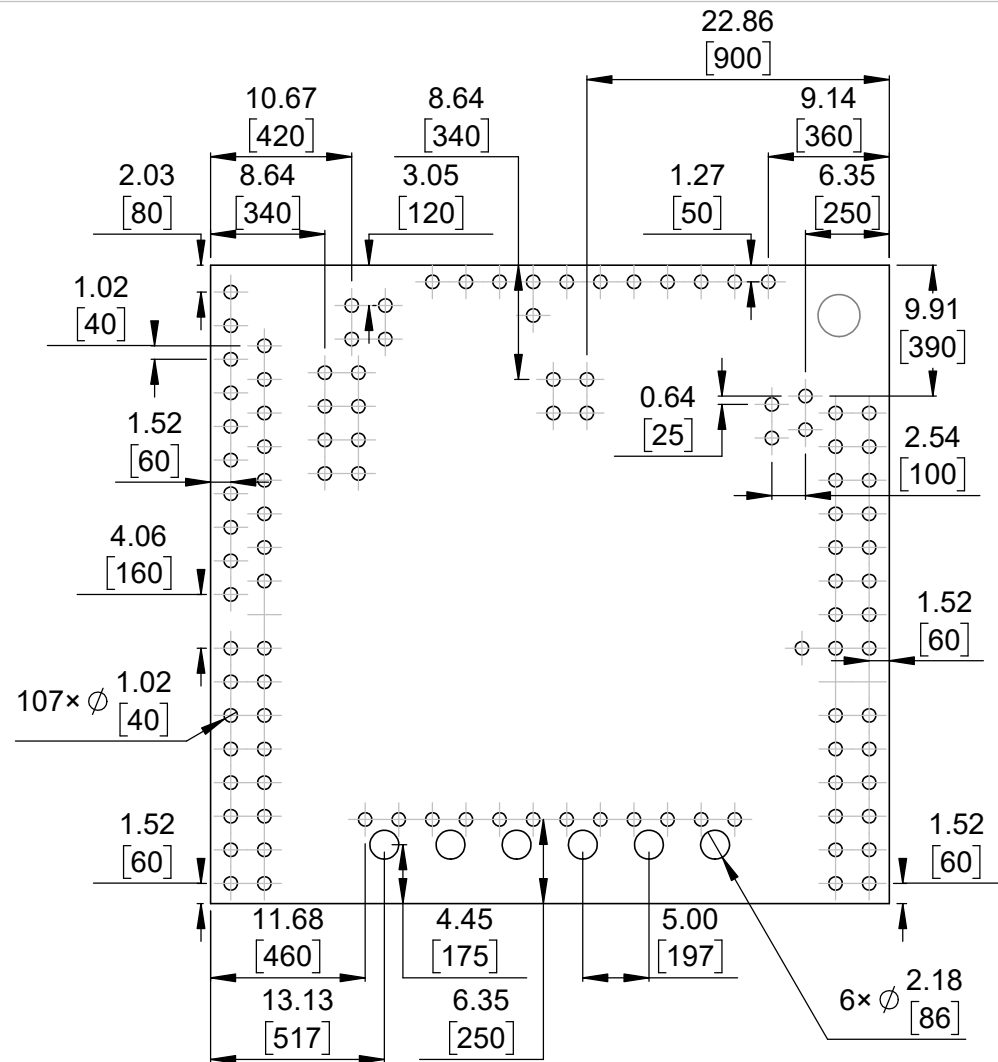
- ① Heights of capacitors above the board are 7.8mm [307 mil] for boards manufactured prior to December 2014.
- 2. To get the specified scale, select 100% in print settings.
- 3. Drill location tolerance: ± 0.1 [± 5].
- 4. Board edge tolerance: ± 0.3 [± 10].

<https://www.pololu.com/product/2503>

Name: Pololu Dual MC33926 Motor Driver Shield for Arduino		Item number: 2503
Drawing date: 08 December 2017	Dev code: ash03a	 Pololu Robotics & Electronics © 2017 Pololu Corporation
Units: mm [mil]	Material: mixed	



① Board dimensions (top view)
Scale 7:4



② Connector callouts (bottom view)
Scale 7:4

1. Intended for M3 or #4-40 screws.
2. Grid lines indicate 2.54mm [100 mil] spacing.
3. To get the specified scale, select 100% in print settings.
4. Drill location tolerance: ± 0.1 [± 5].
5. Board edge tolerance: ± 0.3 [± 10].

https://www.pololu.com/product/2503	
Name: Pololu Dual MC33926 Motor Driver Shield for Arduino	Item number: 2503
Drawing date: 08 December 2017	Dev code: ash03a
Units: mm [mil]	Material: mixed

