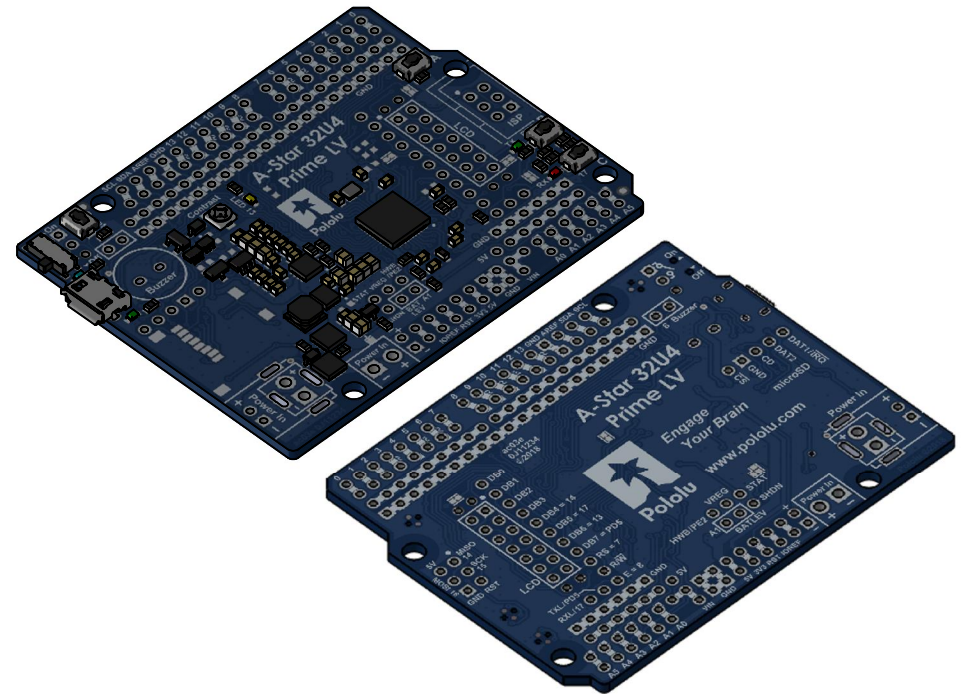


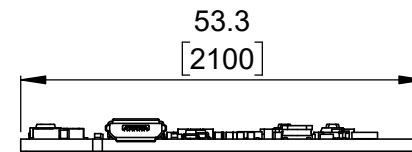
① Top view (actual size)
Scale 1:1



② Isometric view
Scale 1:1




③ Long profile
Scale 1:1

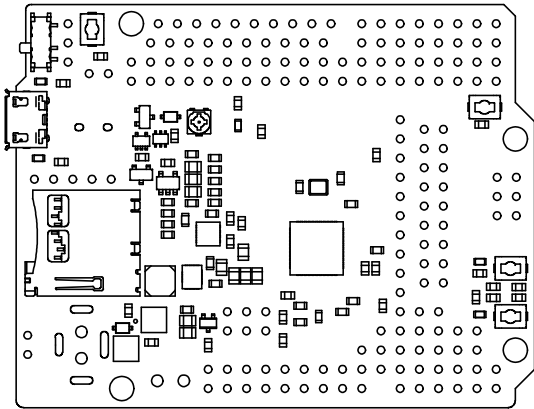


④ Short profile
Scale 1:1

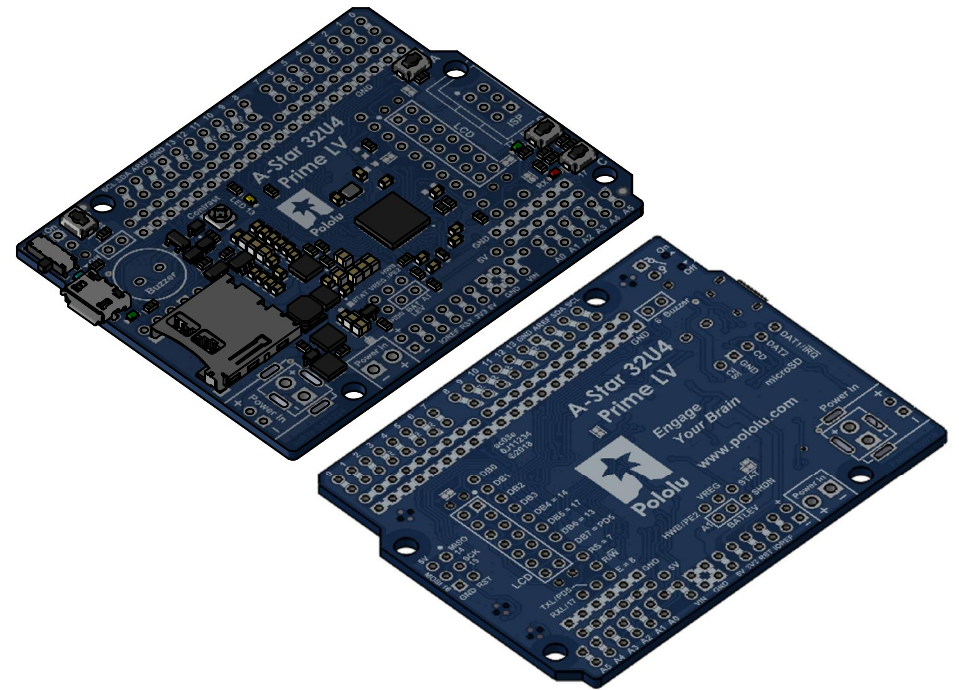
1. To get the specified scale, select 100% in print settings.
2. Drill location tolerance: ± 0.1 [± 5].
3. Board edge tolerance: ± 0.3 [± 10].

<https://www.pololu.com/product/4005>

Name: A-Star 32U4 Prime LV (SMT Components Only)		Item number: 4005
Drawing date: 15 March 2019	Dev code: ac03e	 Pololu Robotics & Electronics © 2019 Pololu Corporation
Units: mm [mil]	Material: mixed	



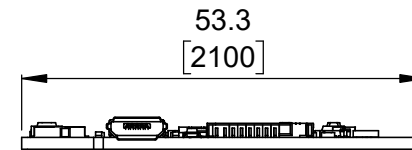
① Top view (actual size)
Scale 1:1



② Isometric view
Scale 1:1




③ Long profile
Scale 1:1

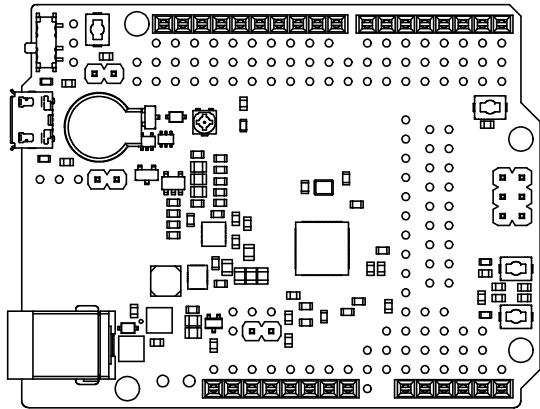


④ Short profile
Scale 1:1

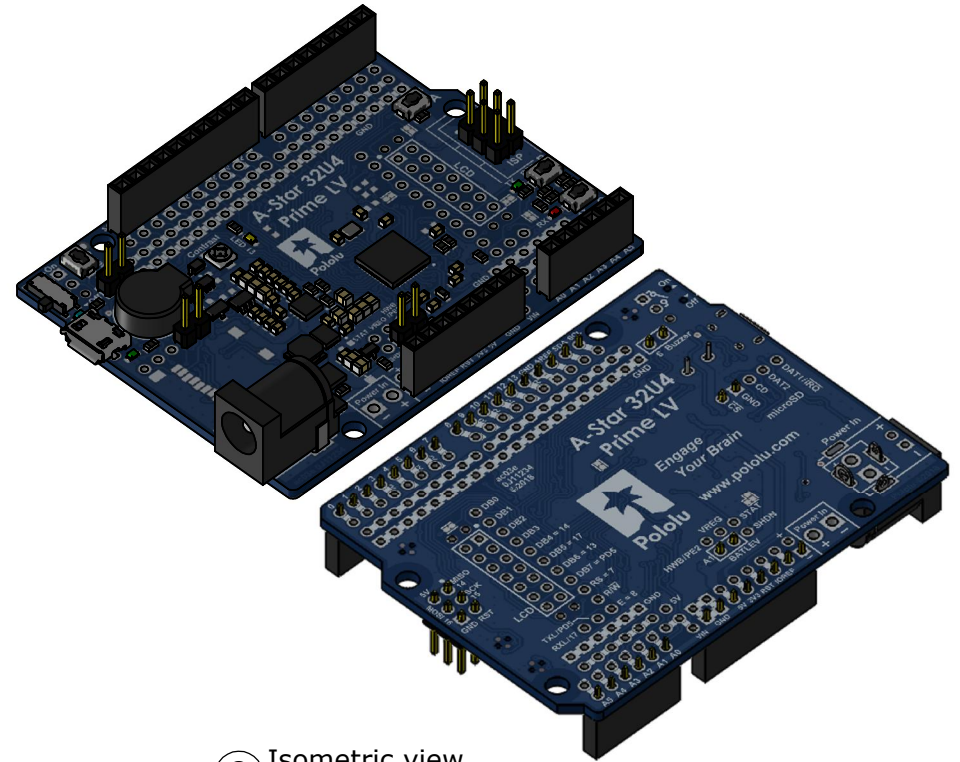
1. To get the specified scale, select 100% in print settings.
2. Drill location tolerance: ± 0.1 [± 5].
3. Board edge tolerance: ± 0.3 [± 10].

<https://www.pololu.com/product/4006>

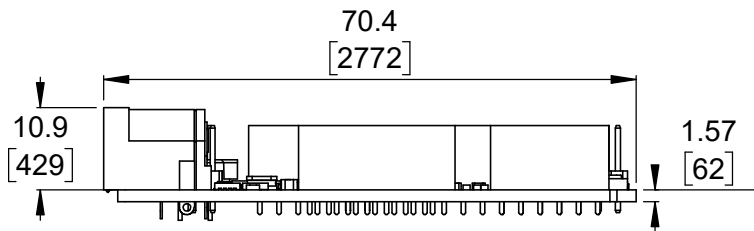
Name: A-Star 32U4 Prime LV microSD (SMT Components Only)		Item number: 4006
Drawing date: 15 March 2019	Dev code: ac03e	 Pololu Robotics & Electronics © 2019 Pololu Corporation
Units: mm [mil]	Material: mixed	



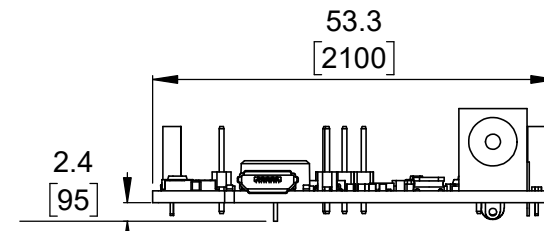
① Top view (actual size)
Scale 1:1



② Isometric view
Scale 1:1




③ Long profile
Scale 1:1

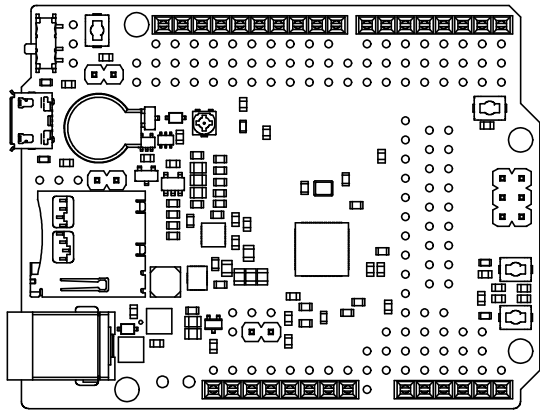


④ Short profile
Scale 1:1

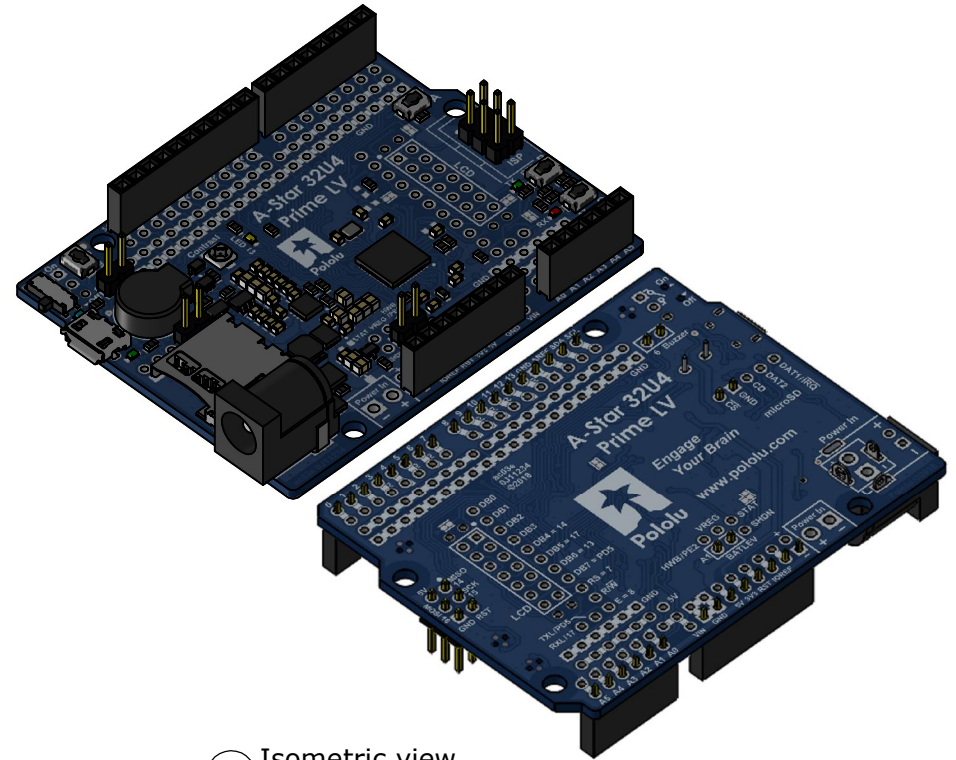
1. To get the specified scale, select 100% in print settings.
2. Drill location tolerance: ± 0.1 [± 5].
3. Board edge tolerance: ± 0.3 [± 10].

<https://www.pololu.com/product/4007>

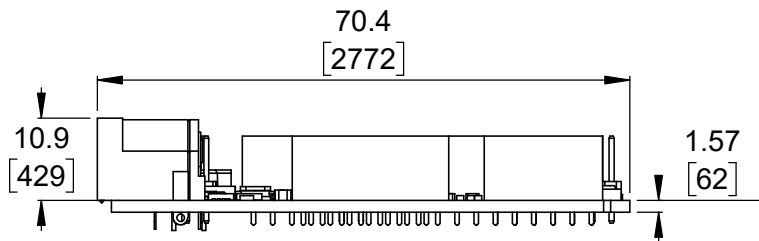
Name: A-Star 32U4 Prime LV (with preinstalled headers)		Item number: 4007
Drawing date: 15 March 2019	Dev code: ac03e	 Pololu Robotics & Electronics © 2019 Pololu Corporation
Units: mm [mil]	Material: mixed	



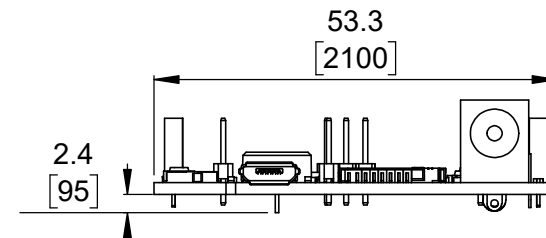
① Top view (actual size)
Scale 1:1



② Isometric view
Scale 1:1




③ Long profile
Scale 1:1

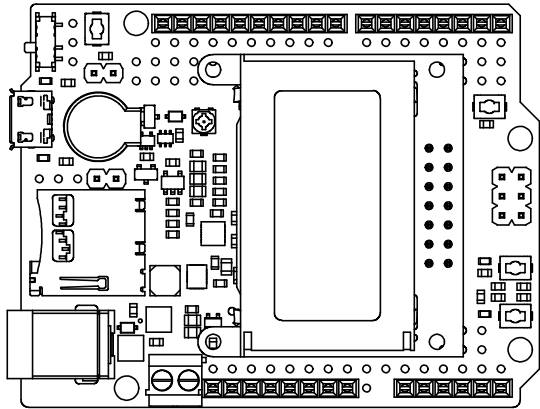


④ Short profile
Scale 1:1

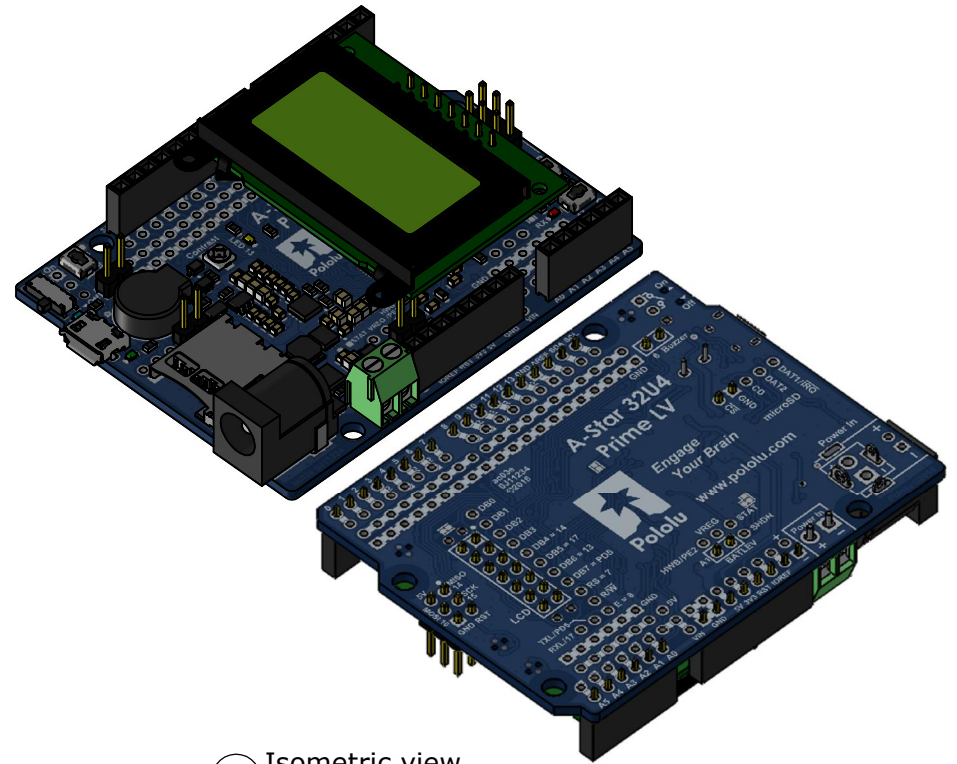
1. To get the specified scale, select 100% in print settings.
2. Drill location tolerance: ± 0.1 [± 5].
3. Board edge tolerance: ± 0.3 [± 10].

<https://www.pololu.com/product/4008>

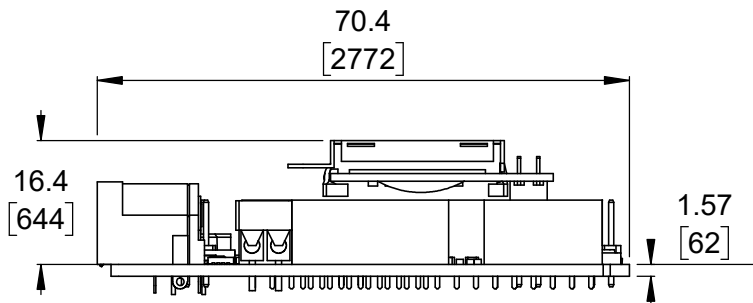
Name: A-Star 32U4 Prime LV microSD (with preinstalled headers)		Item number: 4008
Drawing date: 15 March 2019	Dev code: ac03e	 Pololu Robotics & Electronics © 2019 Pololu Corporation
Units: mm [mil]	Material: mixed	



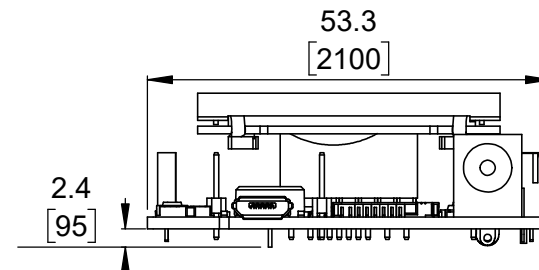
① Top view (actual size)
Scale 1:1



② Isometric view
Scale 1:1




③ Long profile
Scale 1:1



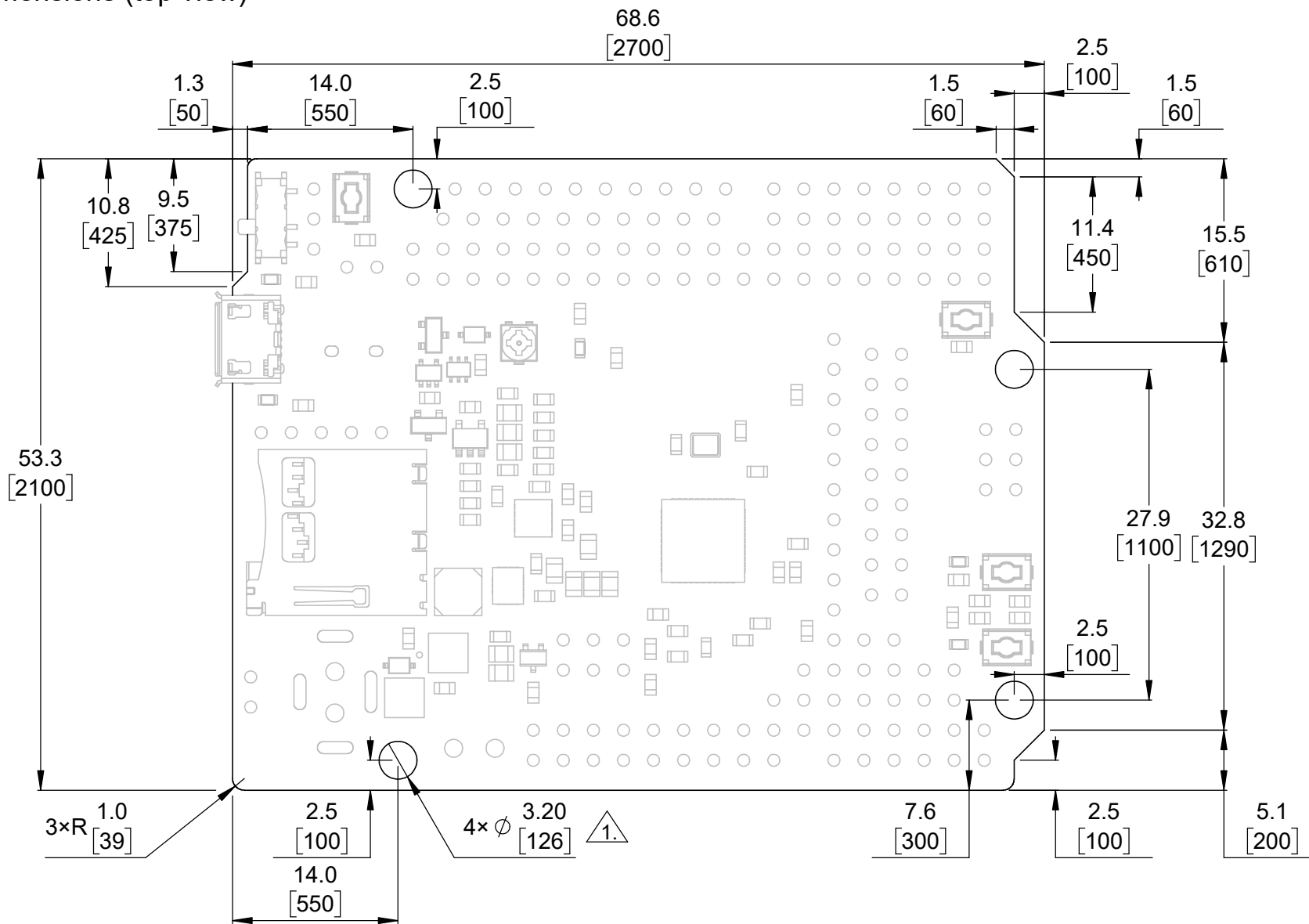
④ Short profile
Scale 1:1

1. To get the specified scale, select 100% in print settings.
2. Drill location tolerance: ± 0.1 [± 5].
3. Board edge tolerance: ± 0.3 [± 10].

<https://www.pololu.com/product/4009>

Name: A-Star 32U4 Prime LV microSD with LCD		Item number: 4009
Drawing date: 15 March 2019	Dev code: ac03e	 Pololu Robotics & Electronics © 2019 Pololu Corporation
Units: mm [mil]	Material: mixed	

Board dimensions (top view)




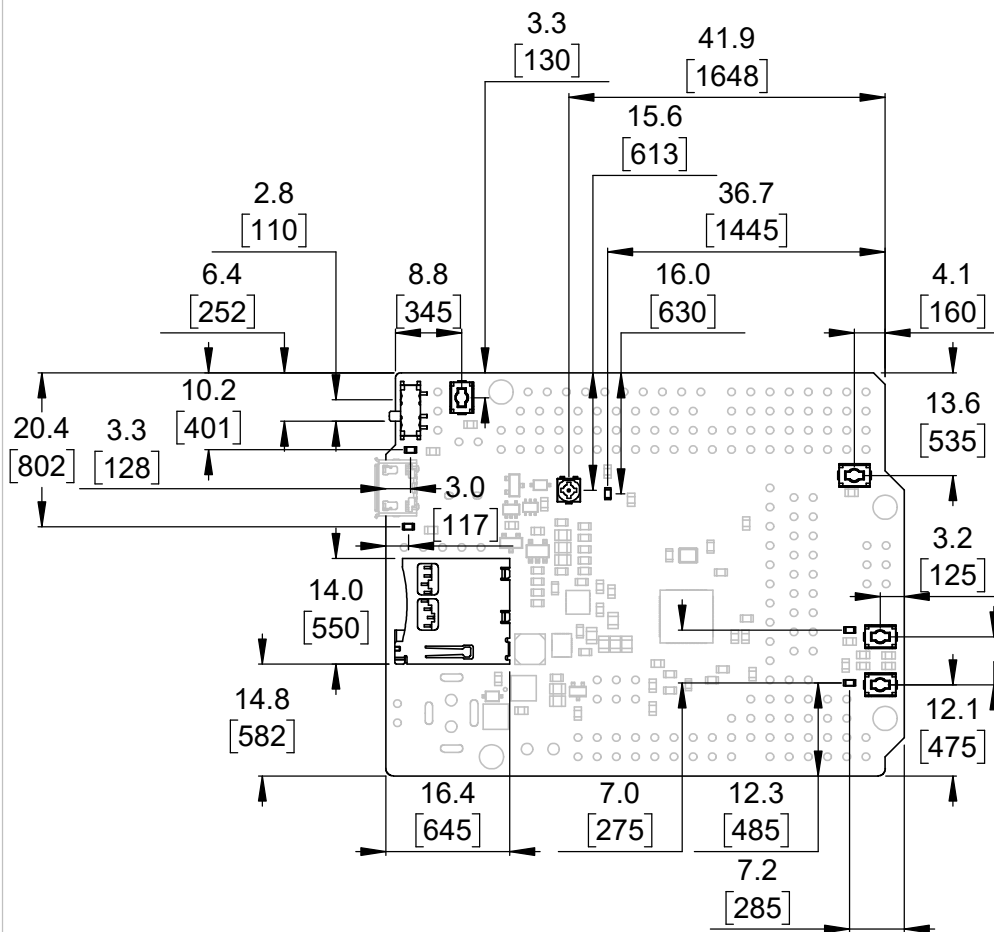
1.

- 1. Intended for #4 and M3 screws.
- 2. To get the specified scale, select 100% in print settings.
- 3. Drill location tolerance: ± 0.1 [± 5].
- 4. Board edge tolerance: ± 0.3 [± 10].

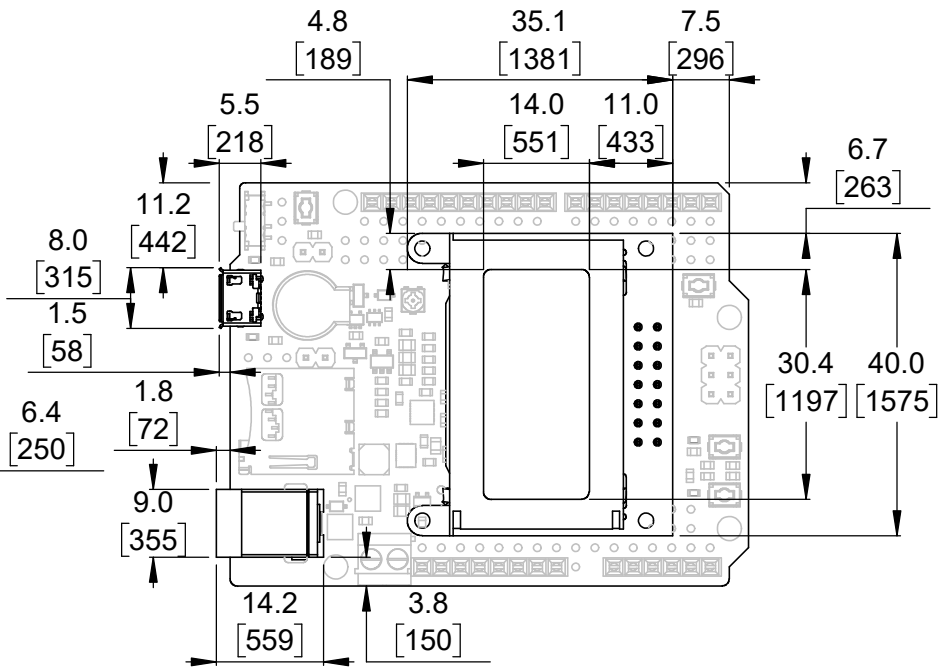
Scale 2:1

<https://www.pololu.com/product/4006>

Name: A-Star 32U4 Prime LV		Item number: 4005-4009
Drawing date: 15 March 2019	Dev code: ac03e	 Pololu Robotics & Electronics © 2019 Pololu Corporation
Units: mm [mil]	Material: mixed	



1 User interface elements (view with microSD) Scale 1:1

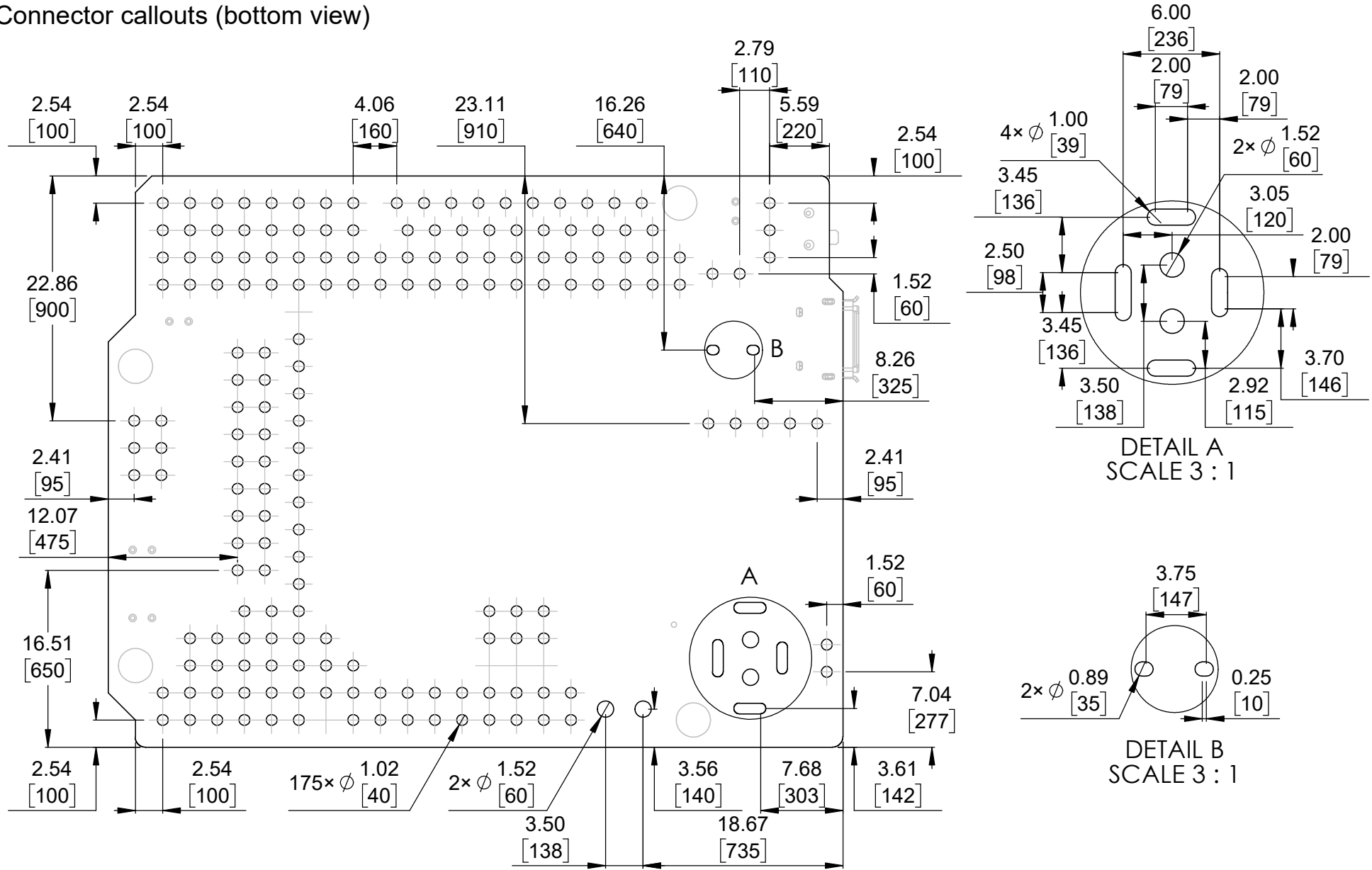


2 User interface elements (view with headers and LCD) Scale 1:1

1. To get the specified scale, select 100% in print settings.
2. Drill location tolerance: ± 0.1 [± 5].
3. Board edge tolerance: ± 0.3 [± 10].

https://www.pololu.com/product/4006		 © 2019 Pololu Corporation	
Name:	A-Star 32U4 Prime LV		
Drawing date:	15 March 2019	Dev code:	ac03e
Units:	mm [mil]	Material:	mixed

Connector callouts (bottom view)



1. Grid lines indicate 2.54 mm [100 mil] spacing.
2. To get the specified scale, select 100% in print settings.
3. Drill location tolerance: ± 0.1 [± 5].
4. Board edge tolerance: ± 0.3 [± 10].

Scale 2:1

https://www.pololu.com/product/4006	
Name:	Item number:
A-Star 32U4 Prime LV	4005-4009
Drawing date:	Dev code:
15 March 2019	ac03e
Units:	Material:
mm [mil]	mixed

