

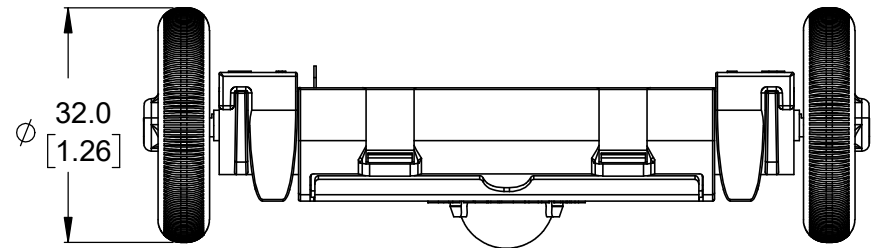
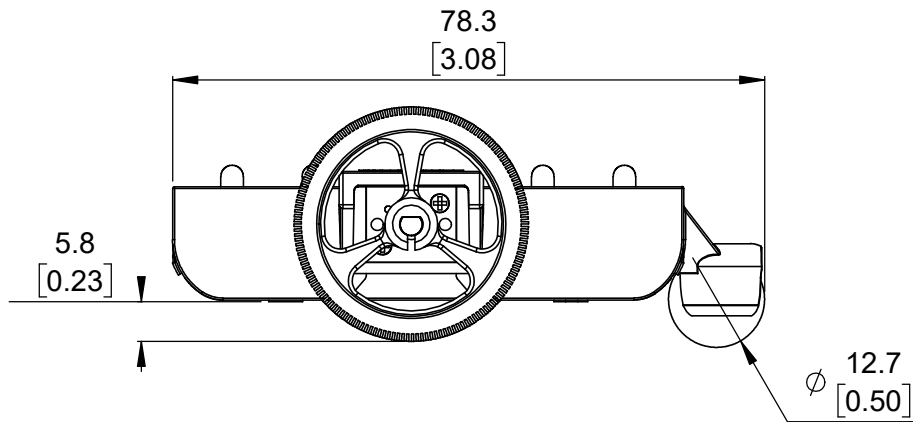
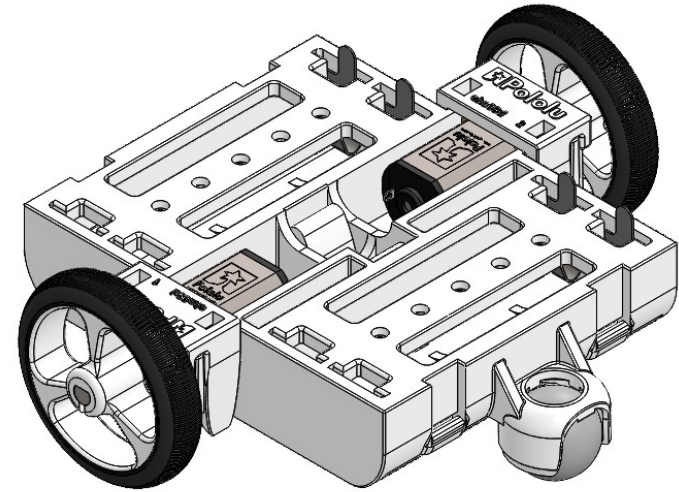
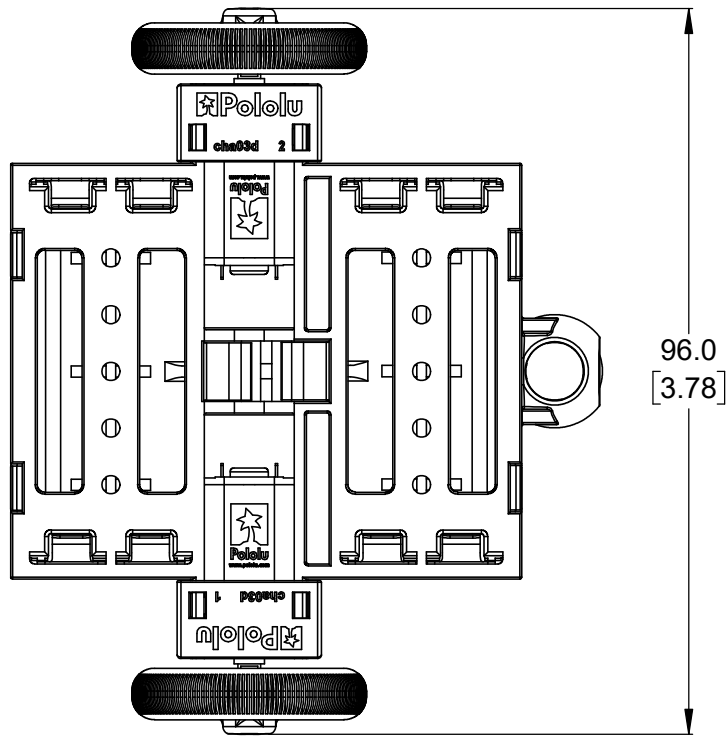
<https://www.pololu.com/product/3725>

Name: 3pi+ Chassis Kit assembled with bumper skirt		Item number: 3725
Drawing date: 6 January 2021	Dev code: —	
Units: mm [in]	Material: ABS & POM	



1. To get the specified scale, select 100% in print settings.

Scale: 1:1



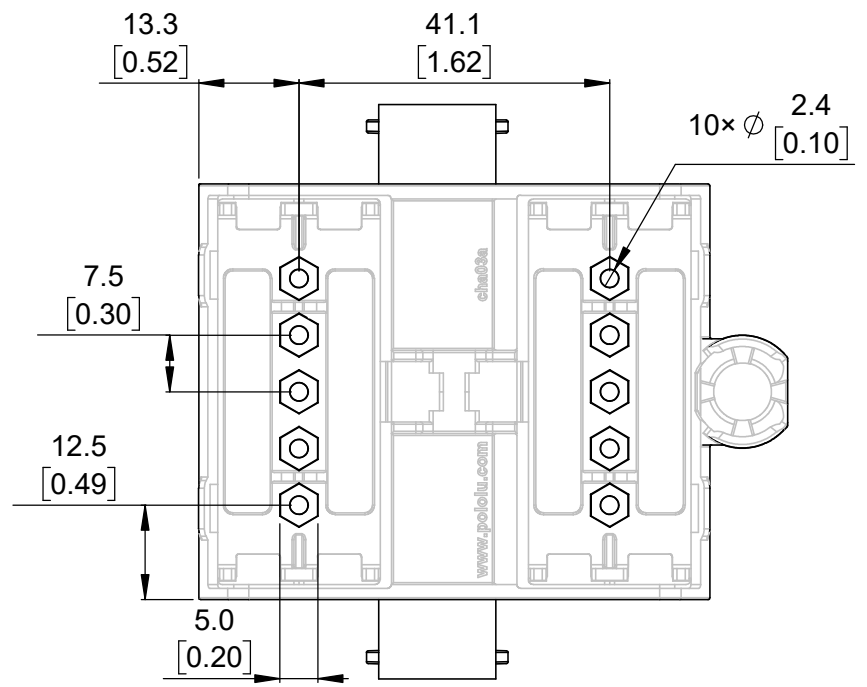
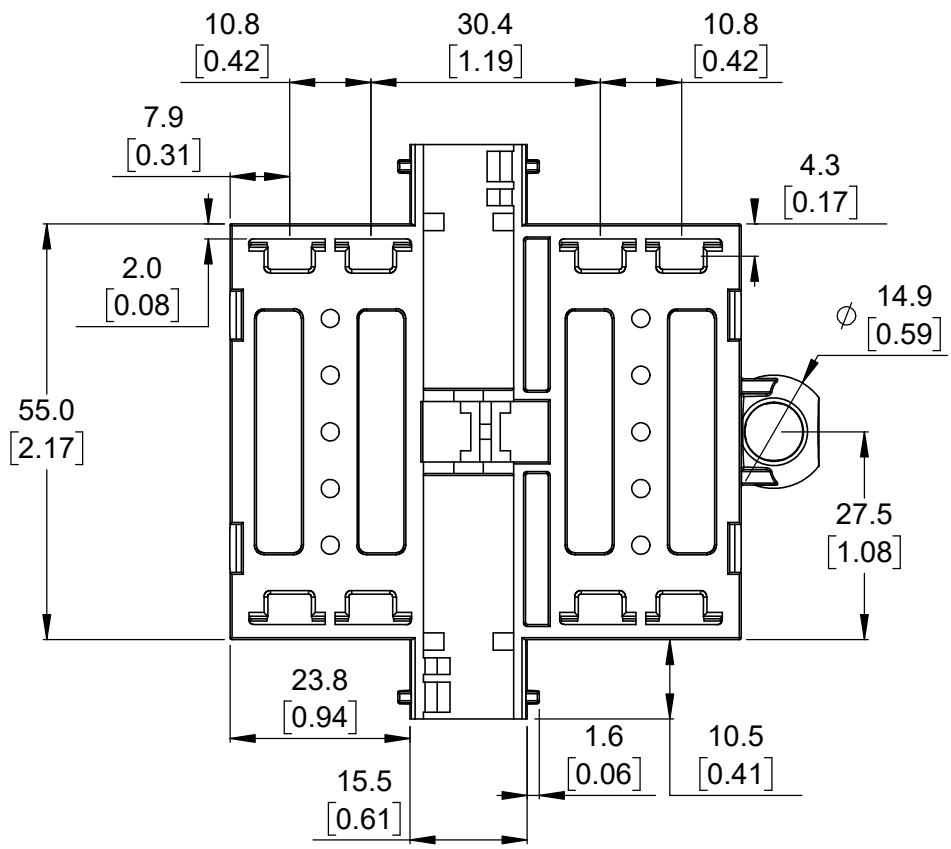
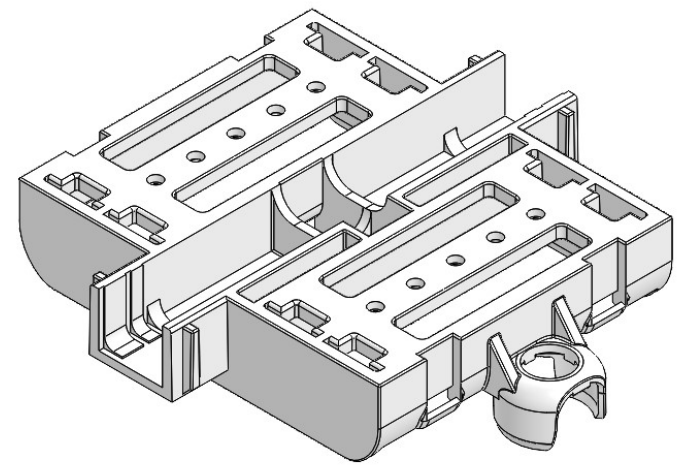
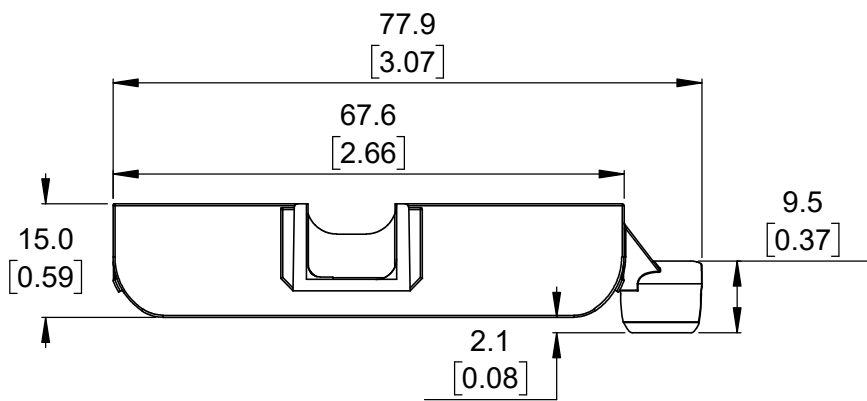
1. To get the specified scale, select 100% in print settings.

Scale: 1:1

<https://www.pololu.com/product/3725>

Name: 3pi+ Chassis Kit assembled with motor clips		Item number: 3725
Drawing date: 6 January 2021	Dev code: —	
Units: mm [in]	Material: ABS & POM	

Pololu
Robotics & Electronics
© 2021 Pololu Corporation

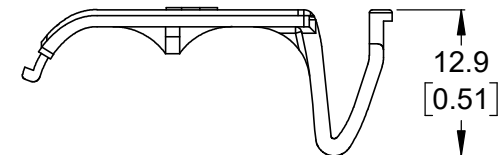
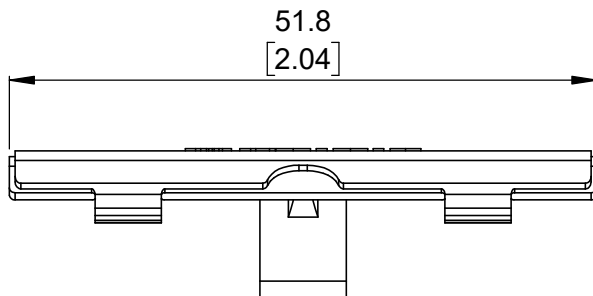
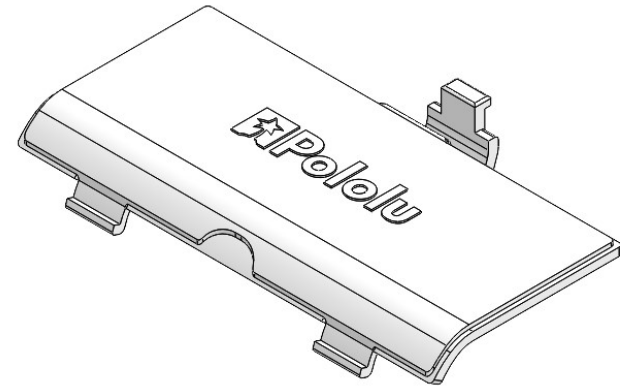
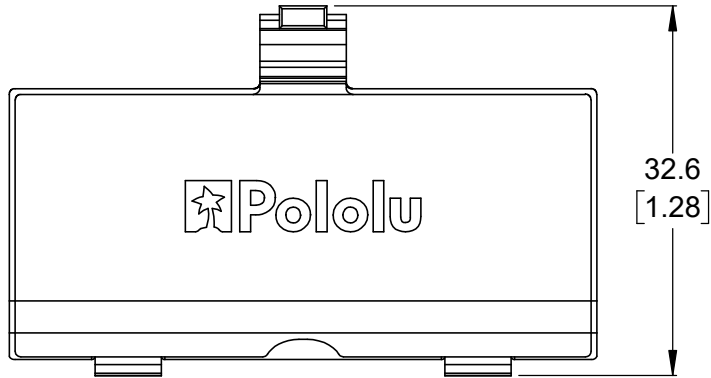


1. To get the specified scale, select 100% in print settings.
2. The patterned holes are suitable for #2 screws and feature hexagonal-shaped cutouts that are designed to fit #2 nuts.

Scale: 1:1

https://www.pololu.com/product/3725	
Name: 3pi+ chassis	Item number: 3725
Drawing date: 6 January 2021	Dev code: cha03a
Units: mm [in]	Material: ABS & POM





1. To get the specified scale, select 100% in print settings.

Scale: 3:2

<https://www.pololu.com/product/3725>

Name:
3pi+ battery cover

Item number:
3725

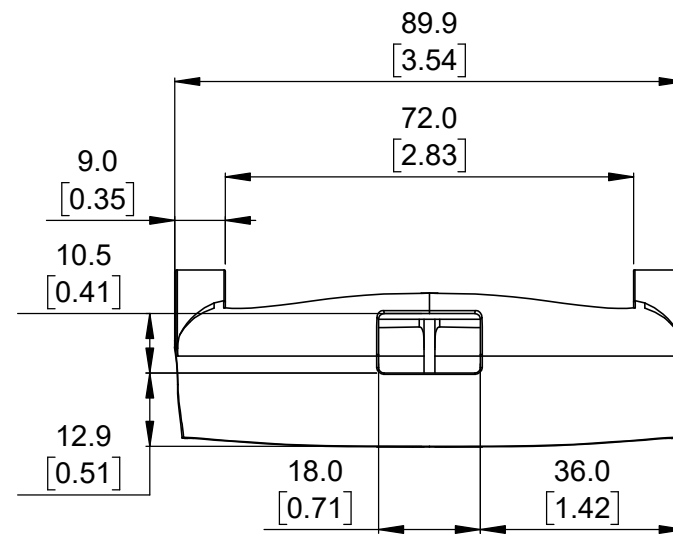
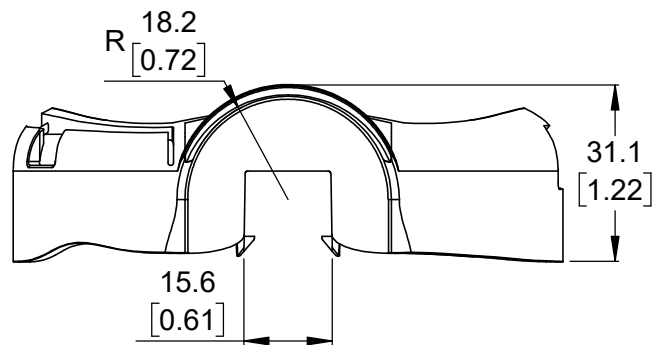
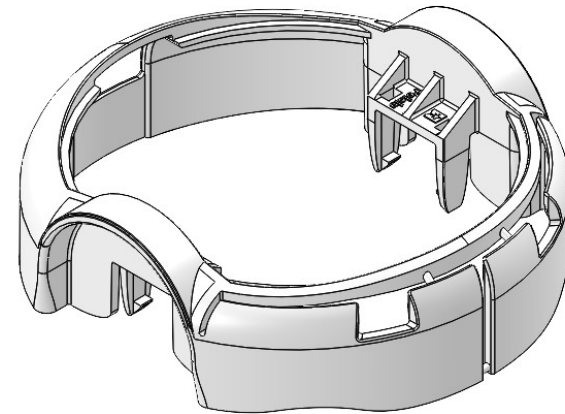
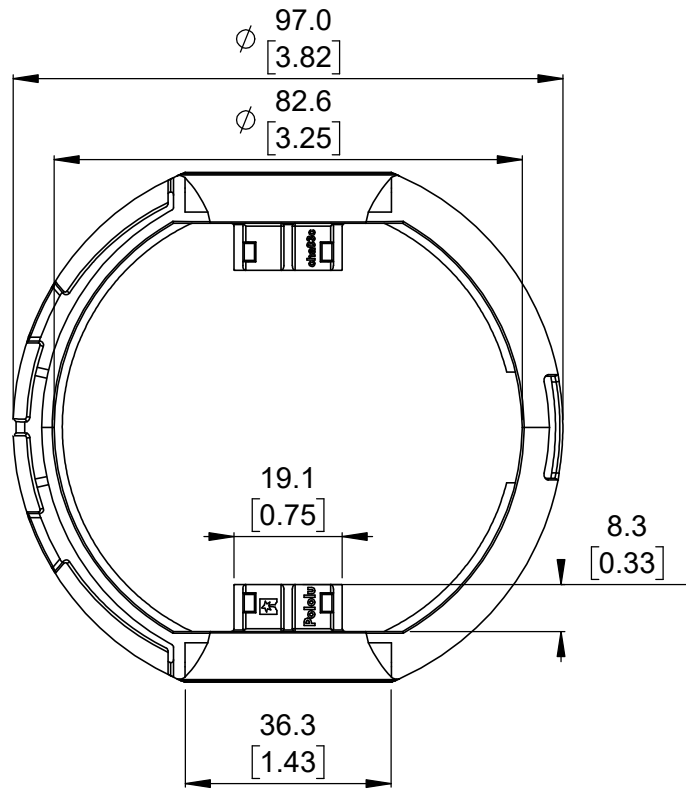
Drawing date:
6 January 2021

Dev code:
cha03b

Units: mm
[in]

Material:
ABS & POM


Pololu
Robotics & Electronics
© 2021 Pololu Corporation



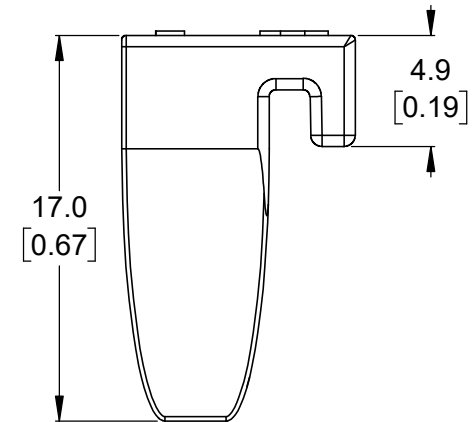
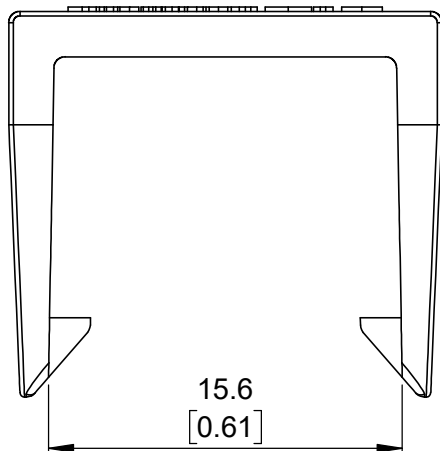
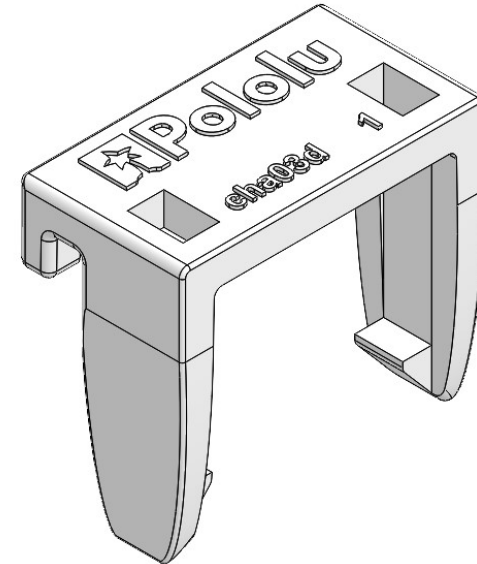
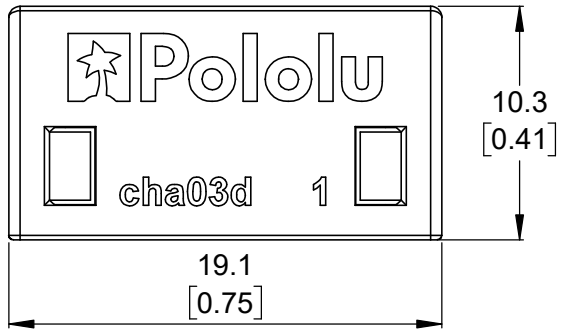
<https://www.pololu.com/product/3725>

Name: 3pi+ bumper skirt		Item number: 3725	
Drawing date: 6 January 2021		Dev code: cha03c	
Units: mm [in]	Material: ABS & POM		



1. To get the specified scale, select 100% in print settings.


Scale: 3:4



1. To get the specified scale, select 100% in print settings.

Scale: 3:1

<https://www.pololu.com/product/3725>

Name: 3pi+ motor clip		Item number: 3725
Drawing date: 6 January 2021	Dev code: cha03d	 Pololu Robotics & Electronics © 2021 Pololu Corporation
Units: mm [in]	Material: ABS & POM	