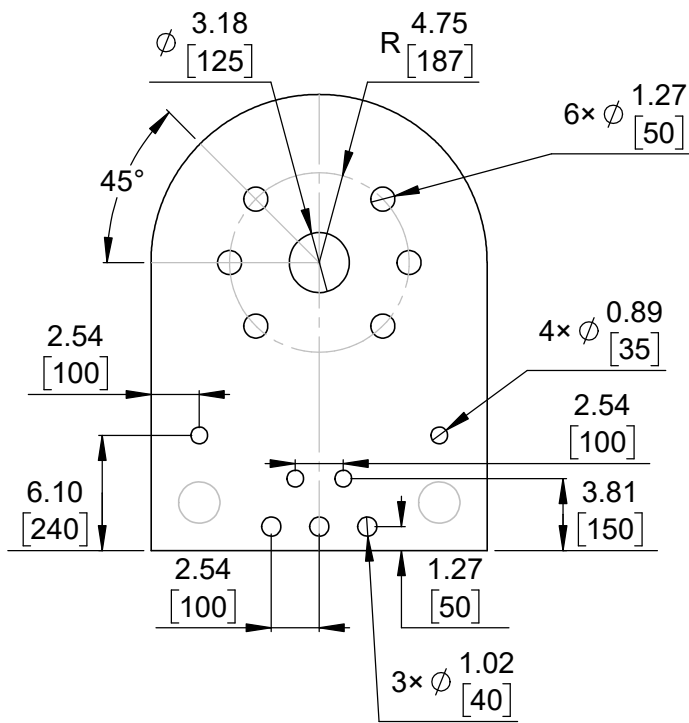
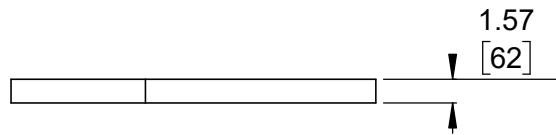


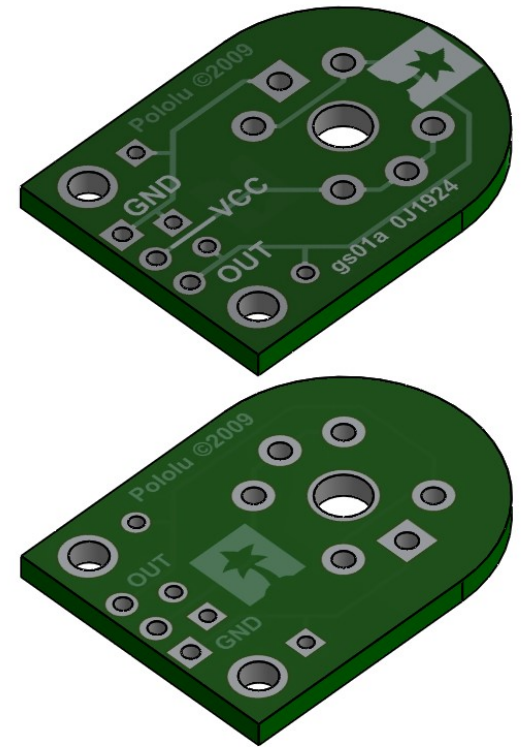
1 Board dimensions (top view)
Scale 5:2



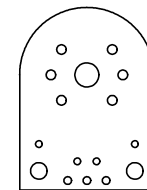
2 Connector callouts (bottom view)
Scale 5:2



4 Profile
Scale 5:2




3 Isometric view
Scale 5:2



5 Actual size
Scale 1:1

- 1. Intended for #2 and M2 screws.
- 2. To get the specified scale, select 100% in print settings.
- 3. Drill location tolerance: ± 0.1 [± 5].
- 4. Board edge tolerance: ± 0.3 [± 10].

<https://www.pololu.com/product/1479>

Name: Pololu Carrier for MQ Gas Sensors (Bare PCB Only)		Item number: 1479
Drawing date: 26 September 2022	Dev code: gs01a	 © 2022 Pololu Corporation
Units: mm [mil]	Material: mixed	