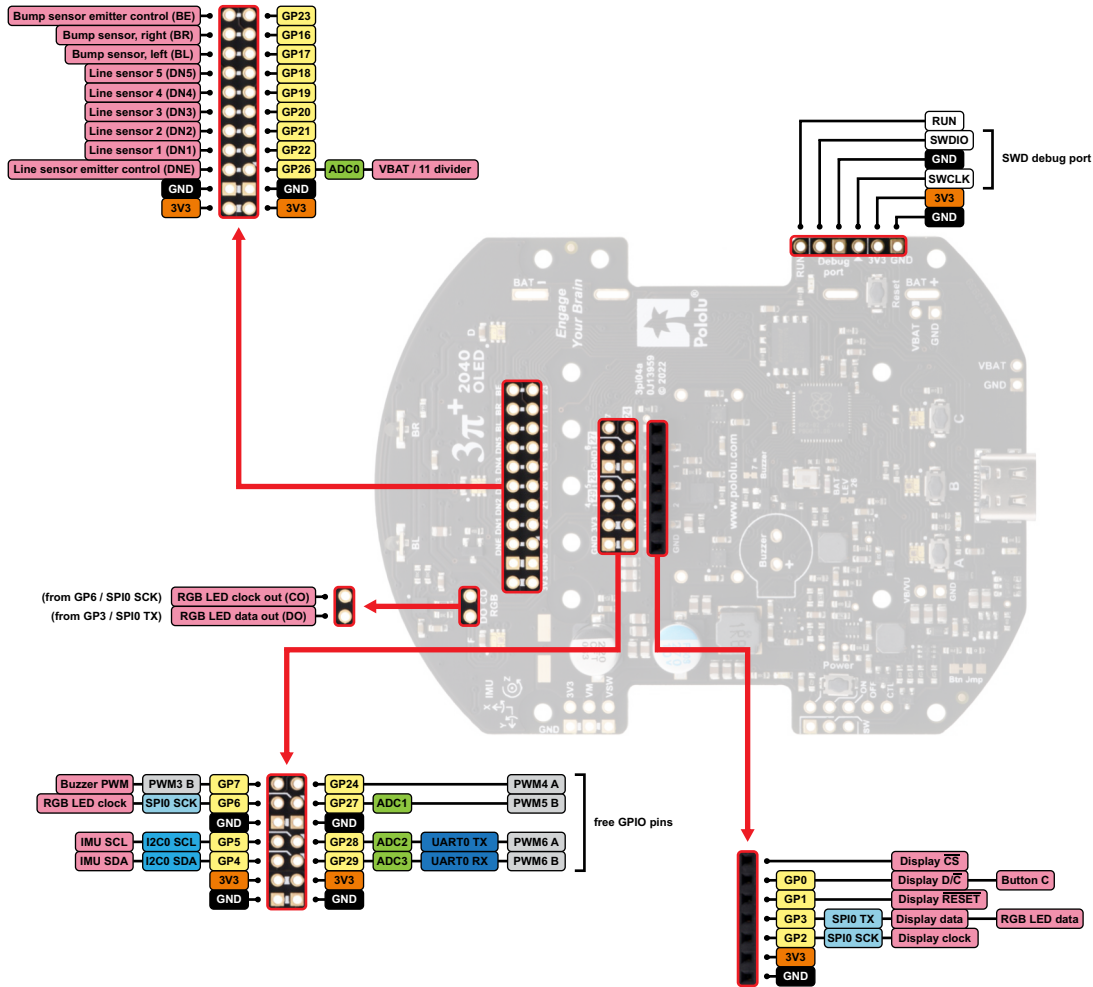


# 3pi+ 2040 Control Board

## Pinout and peripherals



Power distribution
Ground (0 V)
GPIO pin numbers
ADC channels
UART
PC
SPI
PWM outputs
Other peripheral functions
On-board hardware

# 3pi+ 2040 Control Board

*Power distribution and control*

