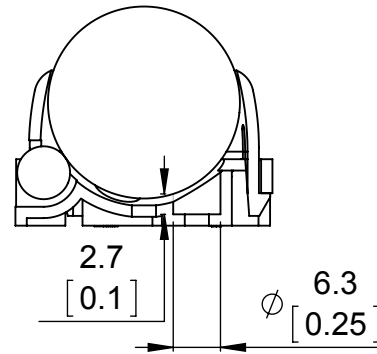
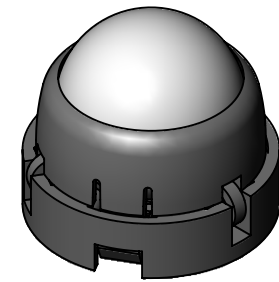


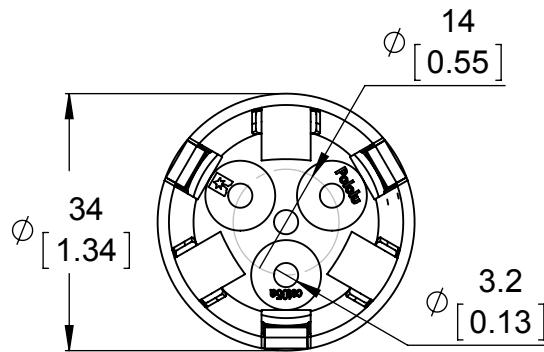
① Ball caster profile view
Scale 1:1



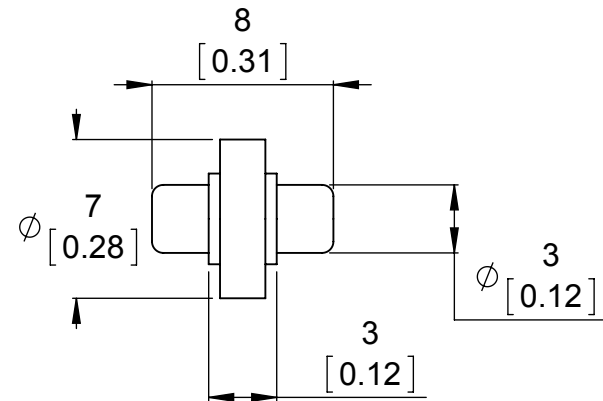
② Ball caster section view
Scale 1:1



③ Ball caster isometric view
Scale 1:1




④ Ball caster bottom view
Scale 1:1



⑤ Plastic roller
Scale 3:1

1. To get the specified scale, select 100% in print settings.

<http://www.pololu.com/product/2691>

Name: Pololu Ball Caster with 1" Plastic Ball and Plastic Rollers		Item number: 2691
Drawing date: 18 Sept 2015	Part dev code: cst05	 © 2015 Pololu Corporation
Units: mm [in]	Material: ABS & POM	